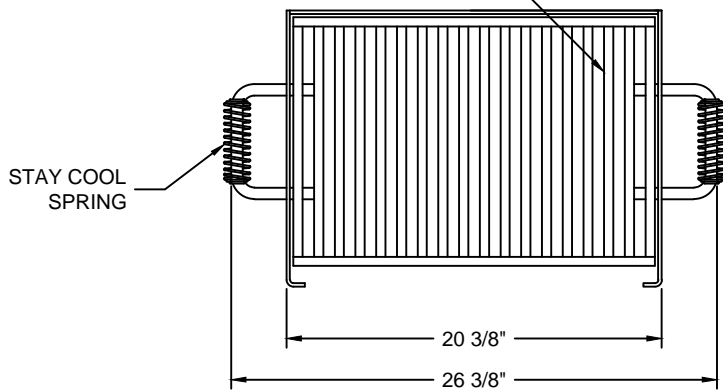
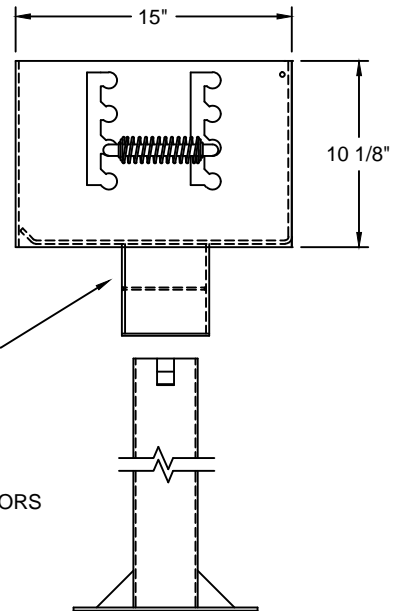
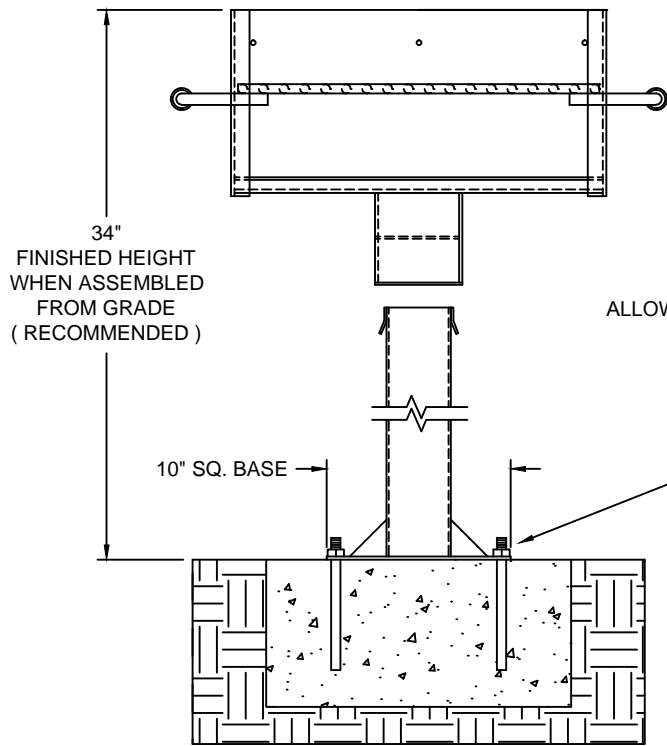


GRATE : Ø1/2" STEEL BARS
ON 1 1/8" CENTERS



- Firebox is 20 3/8" long x 15" deep x 10 1/8" high constructed of 3/16" thick steel (A1011) with an integral ash retention flange and drain holes.
- Grate is constructed from 1/2" dia. A36 steel bars located on 1 1/8" centers. The four position theft proof grate adjusts from 3 1/2" to 9" above the firebed, and has a cooking area of 300 sq. inches.
- Grate handles are constructed from 5/8" dia. A36 steel bars equipped with stay cool spring grips suitable for public use.
- Grill is supported by a heavy duty 3 1/2" dia. pipe mounted to a 10" square base. A theft proof base allows the grill to attach to the pipe and to rotate a full 360°.
- All joints are continuously welded.
- All exposed corners are chamfered for safety.
- Standard finish is a non-toxic black powder coat.
- Approximate weight = 76 lbs.



NOTE : CUSTOMER TO PROVIDE CONCRETE (RECOMMENDED)

THEFT-PROOF BASE
ALLOWS FOR 360° ROTATION

CONCRETE ANCHORS
(RECOMMENDED)

INSTALLATION INSTRUCTIONS:

It is recommended that the base is anchored into a concrete pad to avoid possible injury due to the grill tipping over. After base is installed in concrete, lower lock box onto the tabs. Align tabs, push down over tabs and rotate 90°, push down over tabs again.

WARNING: MUST BE PERMANENTLY MOUNTED

CUSTOMER APPROVAL :		DATE :
		DATE : 5-30-09
PRODUCT PART NUMBER : 100-BK WITH A "ADA" POST (P.N. 11413)		REV. NO. 2 12/9/15
PRODUCT DESCRIPTION :		
STANDARD PARK GRILL WITH 10" SQ. MOUNTING BASE		