



8LPU— Lucaya 8' Octagon Umbrella with Push and Pin Lift System, Standard Fabric Color, 93" High

8' diameter octagon umbrella with push and pin lift system, standard fabric color.

Material

The 8' diameter octagon umbrella canopy is made of Sunbrella® marine-grade acrylic fabric that resists fading and mildew. Canopy includes a single, sewn-in vent and a convenient storage tie.

The canopy is supported by heavy-duty, fiberglass ribs with molded nylon joints, hubs and end tips. Ribs flex in the wind and return to their original shape. Tested to withstand up to 50 mph winds.

The one-piece, 1.5" diameter, aluminum pole is 90" tall and features an easy push up and pin lift system. Umbrella includes a 3" high finial that screws into the top of the pole securing the canopy between the pole and the finial. Overall height including the finial is 93" tall.

Finish

The canopy is available in standard fabric colors. The umbrella pole is available in aluminum or powder coated finishes.

Color

See website or sales representative for color choices.

Assembly

The umbrella ships fully assembled for immediate use.

Maintenance

Maintenance-free; to clean, simply spray with a power washer.

Warranty

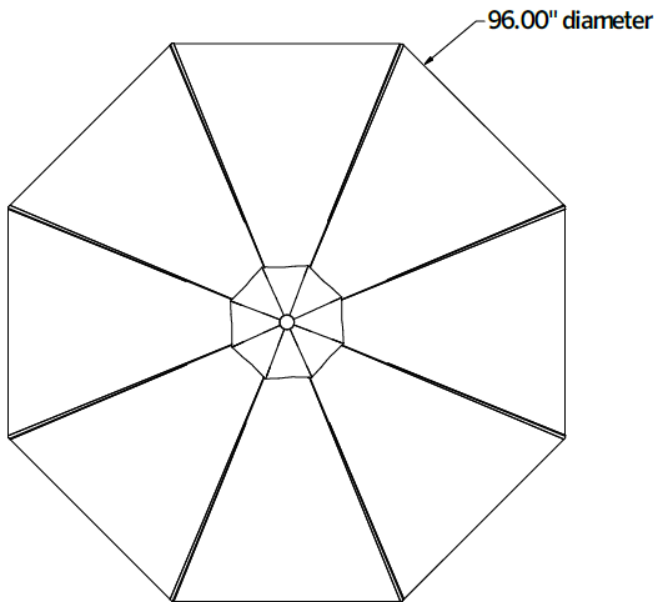
10-year fabric warranty with 5-year rib warranty from the date of purchase.



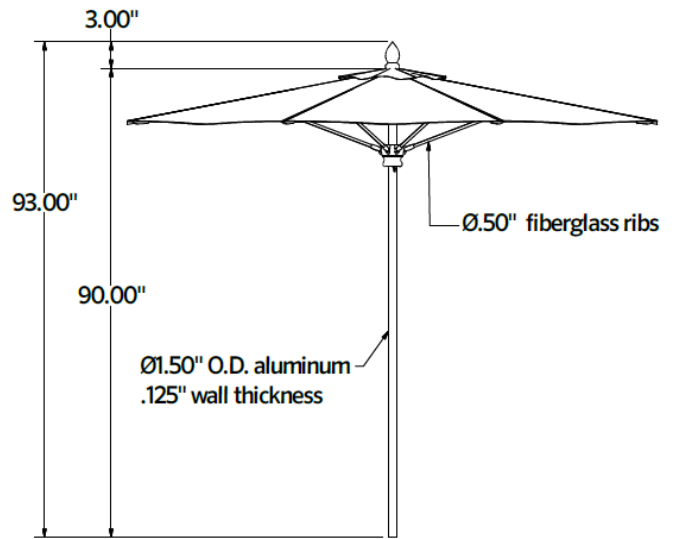
Accessories

Umbrella Table Brace

UBRACE



Top View



Front View