



ASSEMBLY INSTRUCTIONS

Skateboard Deterrents for Flat Edge Benches/Tables

A1001 – Skateboard Deterrent, Set of 1

A1002 – Skateboard Deterrent, Set of 2

anovafurnishings.com
888.535.5005 tel



A1001



A1002

Assembly Recommendations

To prevent scratching on any of the finished pieces, we recommend assembling the unit on packing material (paper and cardboard). Do not drag assembled unit on any surface.

Mounting Recommendations

For surface mounted products we recommend the use of stainless steel fasteners.
For inground mounted products follow the assembly instruction recommendations.

Cleaning Recommendations

For cleaning, use mild household cleansers or soap and water. Do not use vinyl cleansers or protectants.

Parts List

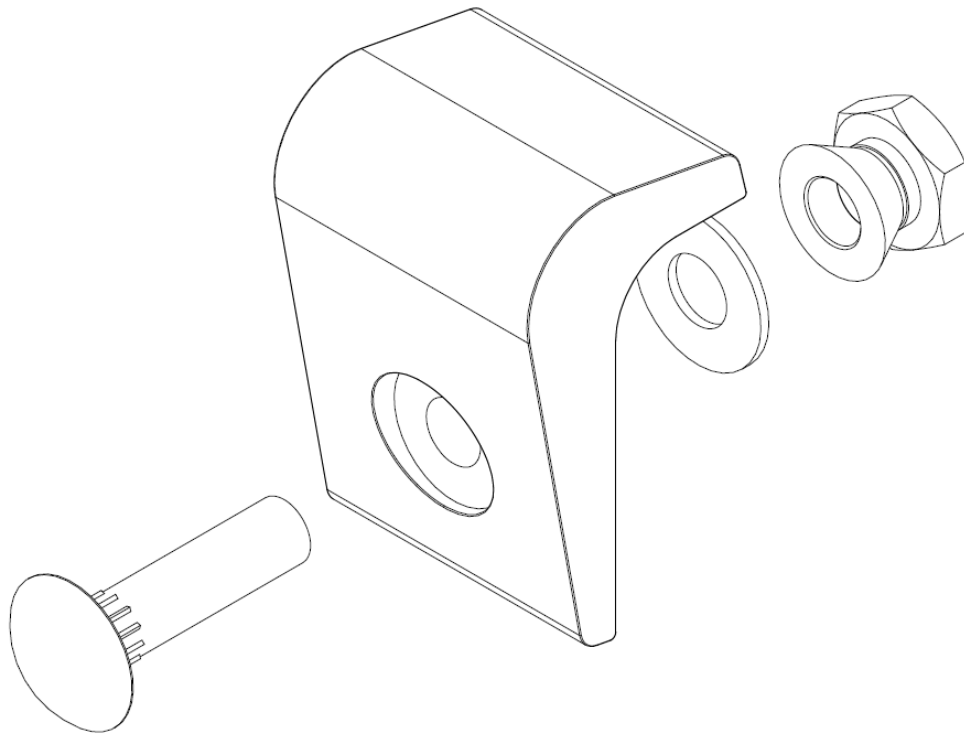
1 or 2 – Deterrent

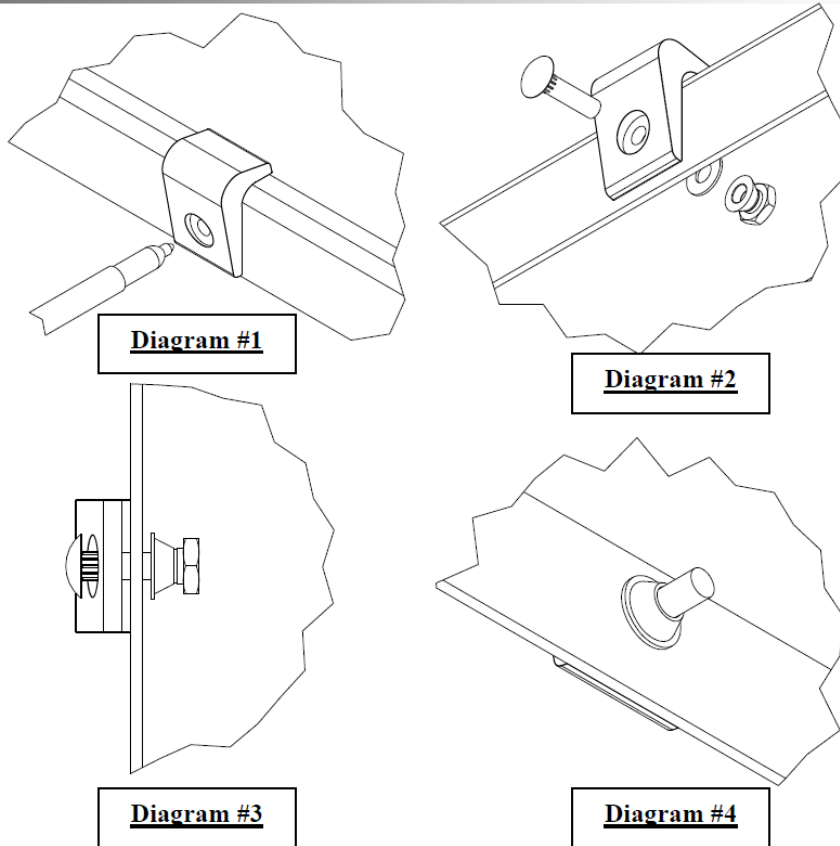
Hardware Included

1 or 2 - 5/16" - 18 X 1 Rib Neck Carriage Bolt
1 or 2 - 5/16" Flat Washer
1 or 2 - 5/16 Tamper Resistant Nut
1 - 5/16" Drill Bit

Tools Needed

Tape Measure
Marker
3/8" Drill
5/8" Wrench





Note:

1. Place the skateboard deterrent on the seat in the desired location. For best results, a maximum distance of 18" from the end of the seat and/or a maximum distance of 36" between skateboard deterrents is recommended.
2. While making sure the deterrent is pressed against the top and side surfaces of the seat, use a marker to mark the hole location on the seat as shown in Diagram #1.
3. Remove the deterrent and drill the hole in the marked location using the supplied drill bit. Hold the drill perpendicular to the drilled surface and be careful to keep the drill from "walking". For best results when installing multiple deterrent kits, drill no more than 2 holes with each drill bit.
4. Place the deterrent back on the seat, insert the bolt into the deterrent and the seat, place the washer on the bolt, and thread the nut onto the end of the bolt as shown in Diagram #2 and Diagram #3. Be sure that the nut is oriented as shown in those diagrams. You do not need to fully press the bolt into the deterrent prior to tightening the nut.
5. Tighten the nut. The bolt will sink fully into the deterrent. Continue tightening the nut until the hex portion of the tamper resistant nut breaks off as shown in Diagram #4. Be prepared for the nut to break.



- Furniture must not be used other than for its intended purpose and should be inspected regularly for loose, missing, or broken hardware, and general instability.
- Furniture that is damaged or appears to be unstable must be removed from service and be repaired or replaced.
- Repairs must be made using only factory authorized parts and methods.

CARE AND MAINTENANCE

- Do not drag the assembled unit across any surface.
- This product requires only periodic cleaning with a sponge and a solution of mild detergent and water to remove surface dirt. Do not clean with a solvent or petroleum based products.