



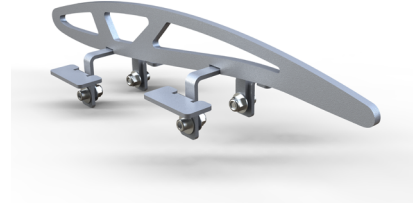
Assembly Instructions

Exposition Sleep Deterrent A1012 - Sleep Deterrent, Set of 1

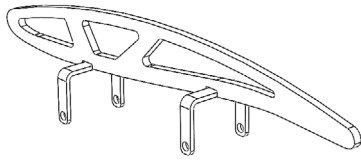
anovafurnishings.com
888.535.5005 tel

TOOLS NEEDED:

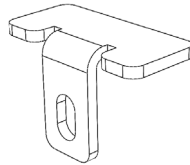
- Power Screw Driver
- 3/16" Hex Bit
- 7/16" Wrench



COMPONENT PARTS:

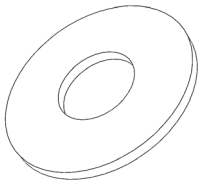


(1) Sleep Deterrent

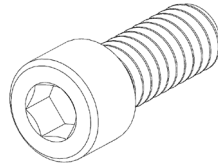


(4) Bracket

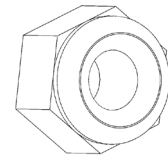
ASSEMBLY HARDWARE: All hardware is stainless steel.



(8) 1/4 Flat Washers



(4) 1/4-20 x 5/8"
Socket Head Bolt



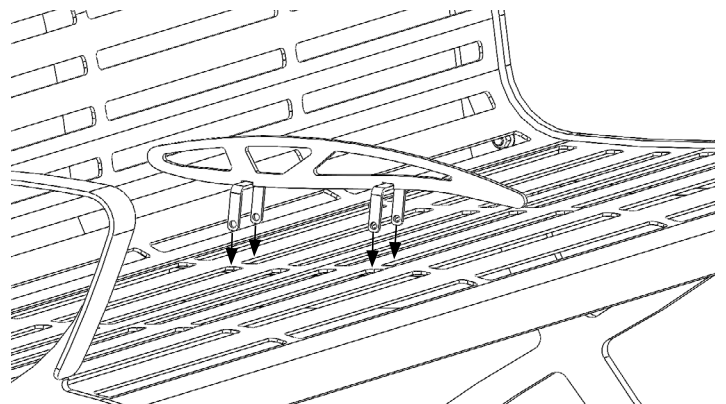
(4) 1/4-20 Nylock
Nut

ASSEMBLY:

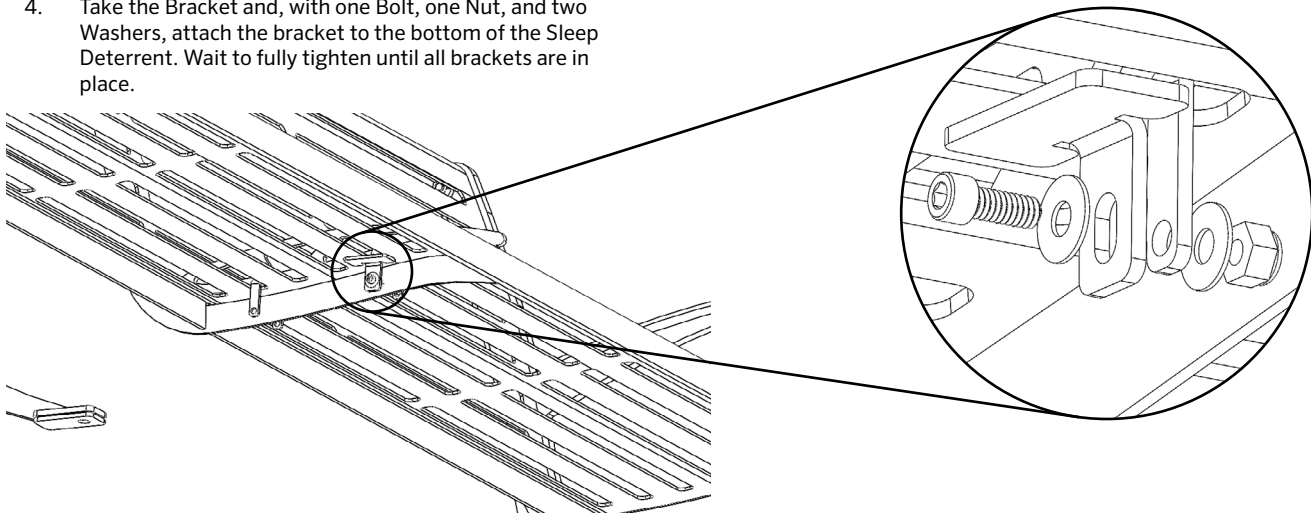
1. Inspect the shipping container contents for damage and to determine that all components and hardware are present.
2. Lay all parts on a soft work surface or on the shipping packaging to prevent damage to finish.

NOTE: Before assembling the nuts to the bolts, it is recommended that a light oil or petroleum jelly be applied to the screw threads.

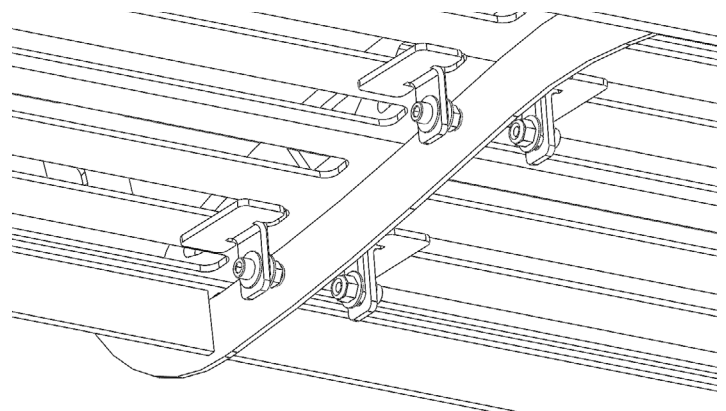
3. Take the Sleep Deterrent and slide the bottom through the slots on the center of the bench.



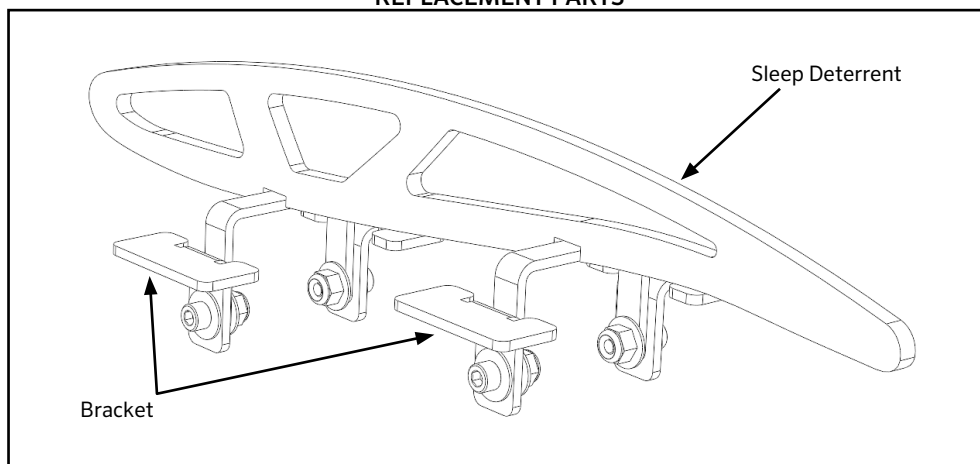
4. Take the Bracket and, with one Bolt, one Nut, and two Washers, attach the bracket to the bottom of the Sleep Deterrent. Wait to fully tighten until all brackets are in place.



5. Repeat Step 4 until all four brackets have been placed and oriented properly. Then tighten all Bolts down to finish the installation.



REPLACEMENT PARTS



Note: Please contact Customer Care at 1-866-797-1761 when ordering replacement parts.



- Furniture must not be used other than for its intended purposes and should be inspected regularly for loose, missing, or broken hardware, and general instability.
- Furniture that is damaged or appears to be unstable must be removed from service and be repaired or replaced.
- Repairs must be made using only factory authorized parts and methods.

CARE AND MAINTENANCE

- Do not drag the assembled unit across any surface.
- This product requires only periodic cleaning with a sponge and a solution of mild detergent and water to remove surface dirt. Do not clean with a solvent or petroleum based products.