



211 North Lindbergh Blvd.  
 St. Louis, MO 63141  
 888.535.5005 tel  
 314.754.0835 fax  
 specify@anovafurnishings.com  
**anovafurnishings.com**



**Material**

The Earth Anchor hold down unit is made of mild steel plate and spring steel coil and is protected with a Yellow Iridite Plating.

The unit is designed to be installed onto the bottom of the Recycled Plastic Receptacle: PT4500.

**Assembly**

The hold down kit requires no assembly other than the installation procedure. Installation hardware is included

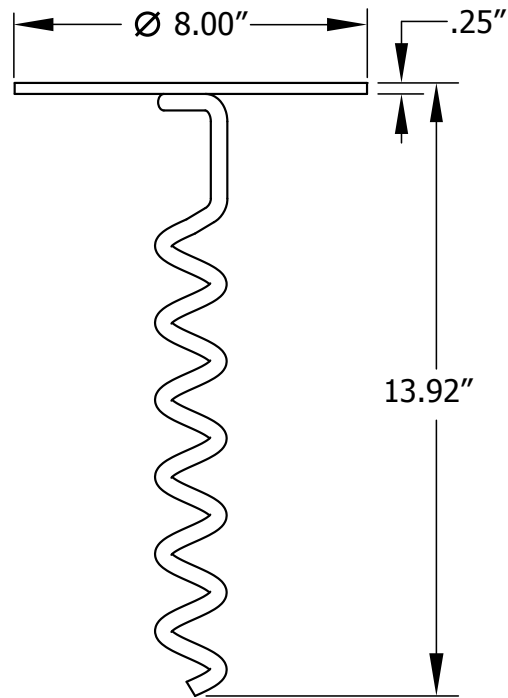
**Maintenance**

Maintenance-free. To clean, spray with a power washer.

**Warranty**

1-year warranty from the date of purchase.

**A1021  
 ANCHOR KIT**  
 in ground, receptacle, steel  
 anchor kit



**Shipping Information**

Unit Wt.	Unit Shipping Wt. UPS	Unit Shipping Wt. Truck (74+ Units)	Unit Ship Size	Max Units per Pallet	Pallet Wt.	Total No. Pkgs	Shipping Class
4 lbs	4 lbs/unit	4 lbs/unit	1 cu. ft.	N/A	N/A	1	100