



211 North Lindbergh Blvd.
 St. Louis, MO 63141
 800.231.1327tel| 314.754.0835 fax
specify@anovafurnishings.com
 anovafurnishings.com

A1022 - 2-Light OWL LED Kit, Warm White 3000K

LED lighting kit comprised of LED light fixtures, mounting flanges and a wire cover.

Material

The LED light kit is designed for the Tandem TAN3280 series benches. The kit is comprised of two Garden Light LED™ OWL Micro II Series 3000K LED light fixtures, mounting flanges and an extruded aluminum bench seat wire cover.

Finish

Fade-resistant, powder coated steel is protected by a state-of-the-art primer proven to prevent rusting. Treated components exceed the industry standard by 34% in testing by independent sources.

Color

See website or sales representative for color choices; must be the same color selected for the bench seat.

Assembly

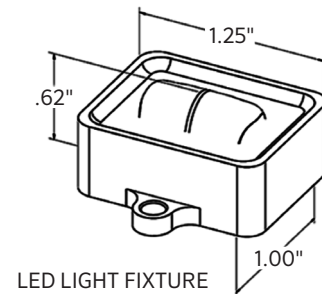
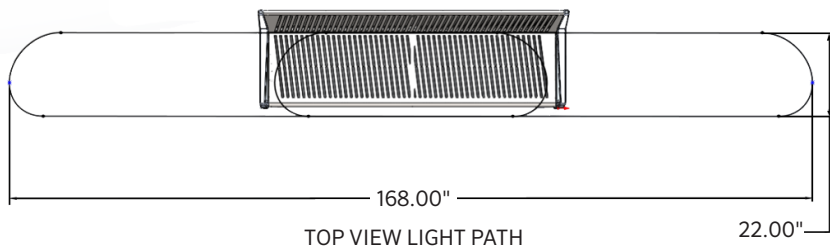
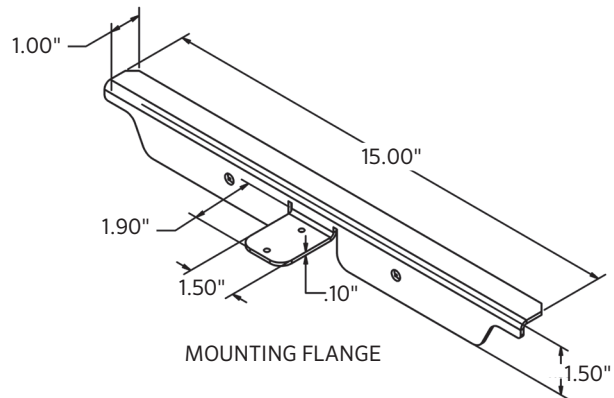
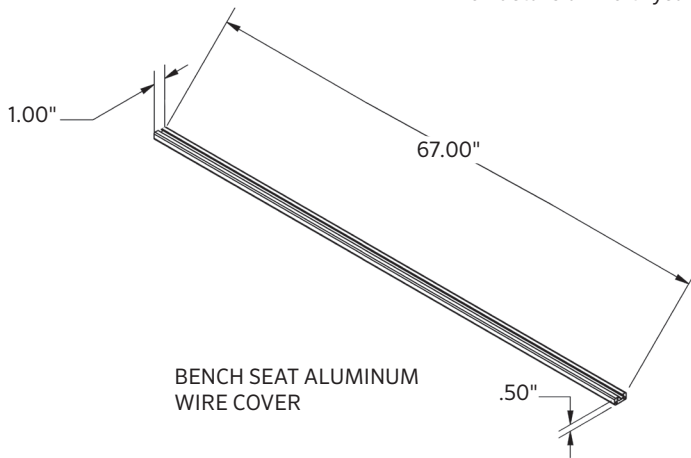
A Tandem TAN3280 series bench with integrated LED lighting requires assembly.

Maintenance

The product is virtually maintenance-free and requires only periodic cleaning with a sponge and a mild detergent and water solution to remove surface dirt. Do not clean with solvent or petroleum base products.

Warranty

20-year limited structural warranty with 7-year finish warranty against fading from date of purchase. Full details on multi-year warranties for components at www.anovafurnishings.com/warranty.aspx.



SHIPPING INFORMATION

Unit Weight	Unit Shipping Wt. UPS	Unit Shipping Wt. Truck (1+ Units)	Unit Ship Size w/ Pallet	Max Units Per Pallet	Pallet Size/Wt. (32" X 74")	Total No. Pkgs.	Shipping Class
5 lbs.	N/A	6.37 lbs./unit	11.65 cu. ft.	54	100 lbs.	1	100