



211 North Lindbergh Blvd.
 St. Louis, MO 63141
 800.231.1327tel| 314.754.0835 fax
specify@anovafurnishings.com
 anovafurnishings.com

A1023 - 3-Light OWL LED Kit, Warm White 3000K

LED lighting kit comprised of LED light fixtures, mounting flanges and wire covers.

Material

The LED light kit is designed for the Tandem TAN3280 series benches. The kit is comprised of three Garden Light LED™ OWL Micro II Series 3000K LED light fixtures, mounting flanges, and back panel and bench seat wire covers.

Finish

Fade-resistant, powder coated steel is protected by a state-of-the-art primer proven to prevent rusting. Treated components exceed the industry standard by 34% in testing by independent sources.

Color

See website or sales representative for color choices; must be the same color selected for the bench seat.

Assembly

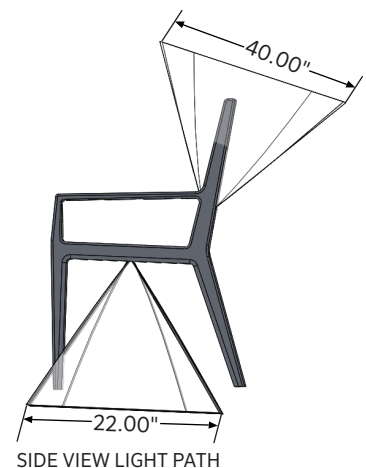
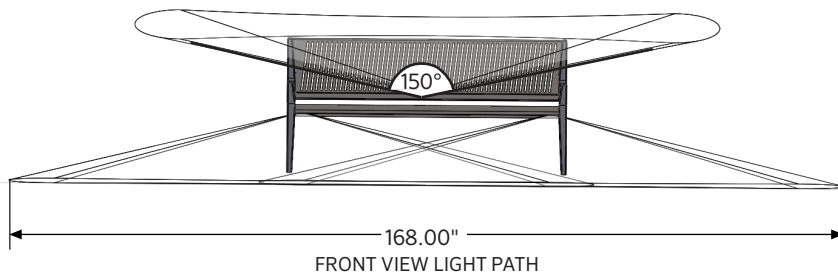
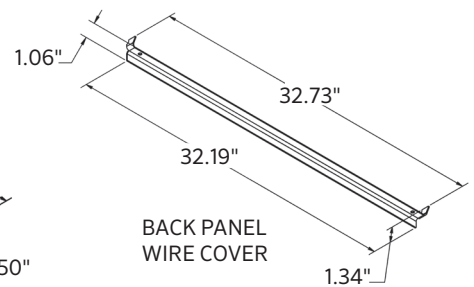
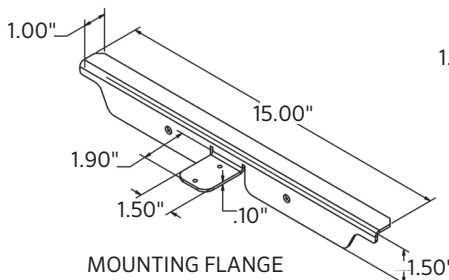
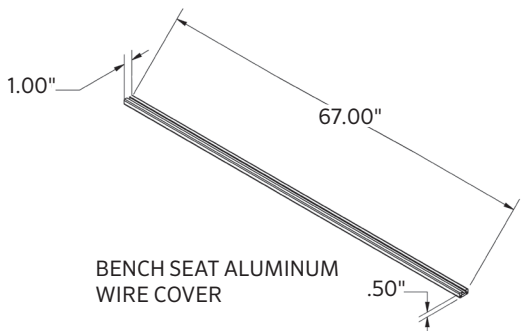
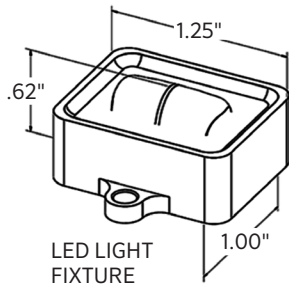
A Tandem TAN3280 series bench with integrated LED lighting requires assembly.

Maintenance

The product is virtually maintenance-free and requires only periodic cleaning with a sponge and a mild detergent and water solution to remove surface dirt. Do not clean with solvent or petroleum base products.

Warranty

20-year limited structural warranty with 7-year finish warranty against fading from date of purchase. Full details on multi-year warranties for components at www.anovafurnishings.com/warranty.aspx.



SHIPPING INFORMATION

Unit Weight	Unit Shipping Wt. UPS	Unit Shipping Wt. Truck (1+ Units)	Unit Ship Size w/ Pallet	Max Units Per Pallet	Pallet Size/Wt. (32" X 74")	Total No. Pkgs.	Shipping Class
6 lbs.	N/A	7.4 lbs./unit	11.65 cu. ft.	54	100 lbs.	1	100