



Assembly Instructions

AE26T40 - Airi 40" Round Bistro Table

AE26T48 - Airi 48" Round Table



anovafurnishings.com
888.535.5005 tel

TOOLS NEEDED:

- 9/16" Open end or box end wrench
- 3/16" Allen wrench

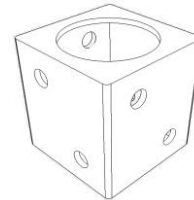
TABLE COMPONENTS:



(1) Table Top



(4) Table Legs

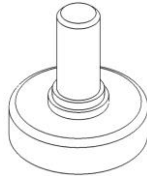


(1) Hub

ASSEMBLY HARDWARE: All hardware is stainless steel.



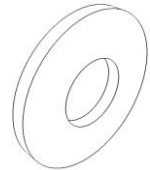
(8) 3/8"-16 Thin Nylon Locknuts



(4) Sugatsune Glides



(4) 5/16" x 3/4" Flat-Head Socket Cap Screws



(8) 5/16" Flat Washers

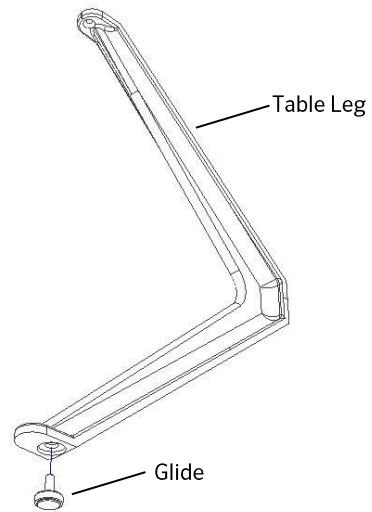
ASSEMBLY: The assembly is a two-person operation.

1. Inspect the shipping container contents for damage and to determine that all components and hardware are present.
2. Assemble the table over the shipping packaging or padded work area to prevent scratching the product.

NOTE: Before assembling the nuts to the screws, it is recommended that a light oil or petroleum jelly be applied to the screw threads.

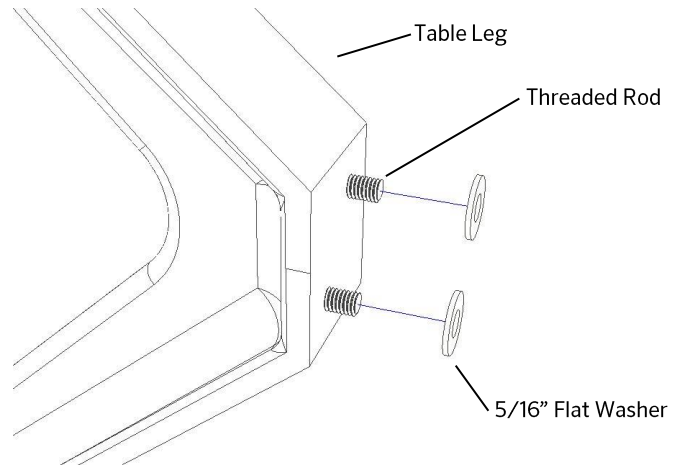
3. Locate four table legs and four glides.
4. Insert a glide into the threaded hole at the bottom of a table leg.

Repeat this step for the remaining table legs.



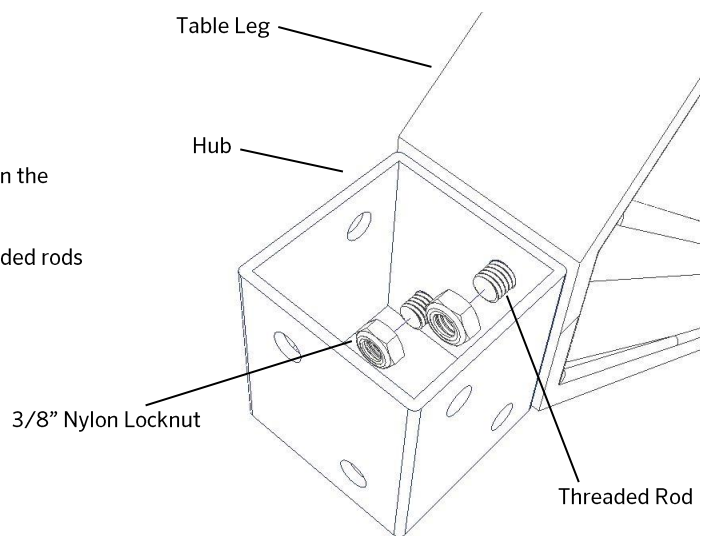
5. Locate the 5/16" flat washers.
6. Place a 5/16" flat washer on the threaded rods protruding from the table leg.

Repeat this step for the remaining table legs.

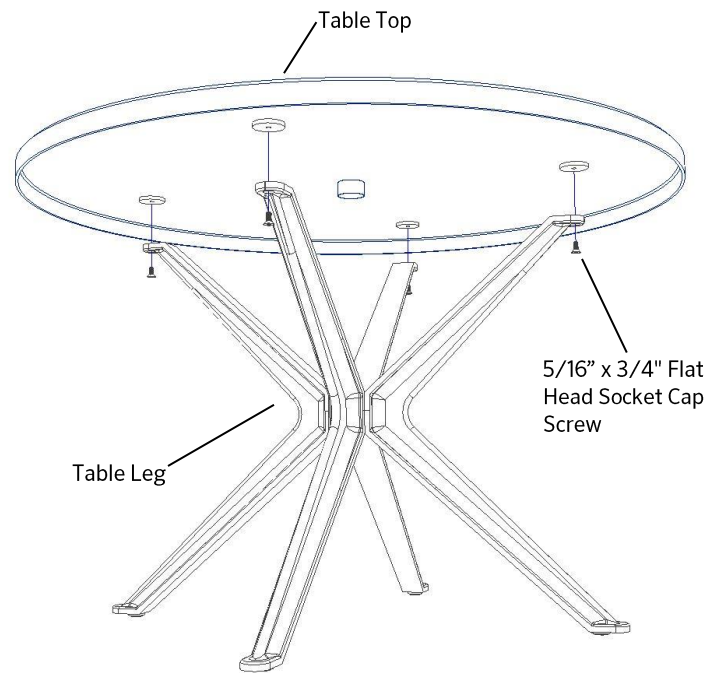


7. Locate the hub and insert the threaded rods on the table leg through the holes in the hub.
8. Place a 3/8" nylon nut on the end of the threaded rods inside of the hub and leave nuts finger tight.

Repeat this step for the remaining table legs.



9. Locate the table top and four 5/16" x 3/4" flat head socket cap screws.
10. Place the table top on the table leg assembly and insert a 5/16" x 3/4" flat head socket cap screw through the holes at the top end of each table leg, and leave finger tight.
11. Secure the table legs to the hub using a 9/16" open end or box end wrench to tighten the eight 3/8" nylon locknuts.
12. Secure the table top to the table legs using a 3/16" Allen wrench to tighten the four 5/16" x 3/4" flat head socket cap screws.



- Furniture must not be used other than for its intended purpose and should be inspected regularly for loose, missing, or broken hardware, and general instability.
- Furniture that is damaged or appears to be unstable must be removed from service and be repaired or replaced.
- Repairs must be made using only factory authorized parts and methods.

CARE AND MAINTENANCE

- Do not drag the assembled unit across any surface.
- This product requires only periodic cleaning with a sponge and a solution of mild detergent and water to remove surface dirt. Do not clean with a solvent or petroleum based products.