



211 North Lindbergh Blvd.
 St. Louis, MO 63141
 800.231.1327 tel. | 314.754.0835 fax
specify@anovafurnishings.com
anovafurnishings.com

BRP300— Ultra Single-Side Bike Rack, 7-Bike Capacity
BRP300E— Ultra Single-Side Bike Rack, 14-Bike Capacity

Ultra single-side steel bike racks, portable/surface mount



Model BRP300

Material

The bike racks are composed of 2.38" O.D. steel tube support sections and .5" O.D. steel rods welded at 3.5" intervals. The BRP300 bike rack is 76.75" long and designed to accommodate up to 7 bikes; the BRP300E is 151.12" long and will accommodate up to 14 bikes. Bike rack is portable, allowing for flexibility in placement and the legs have predrilled tabs to allow for surface mounting to prevent movement.

Finish

Fade-resistant, powder coated steel features a state-of-the-art primer proven to prevent rusting. Treated components exceed the industry standard by 34% in testing by independent sources.

Color

See website or sales representative for color choices.

Assembly

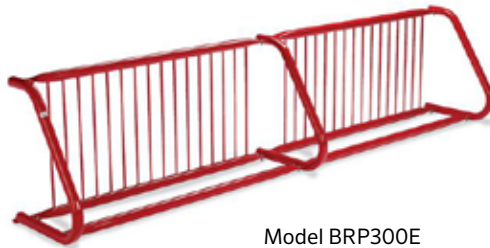
The bike rack requires some assembly.

Maintenance

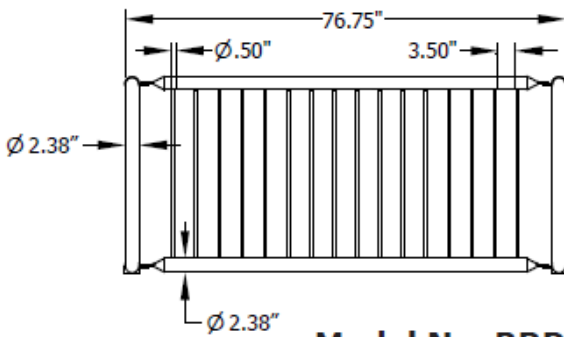
Maintenance-free; to clean, spray with a power washer.

Warranty

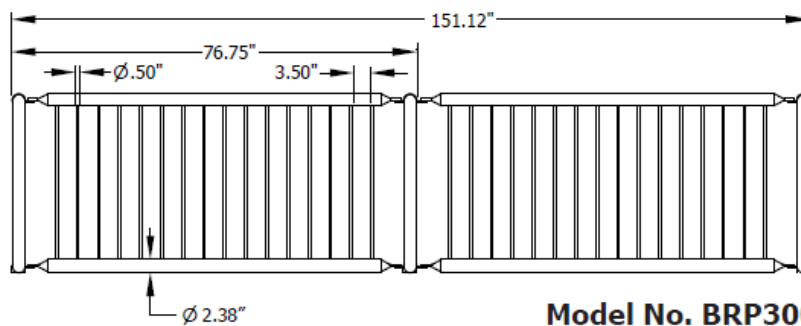
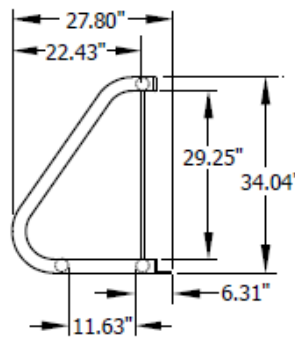
20-year limited structural warranty with 7-year finish warranty against fading from the date of purchase. See full details on multi-year warranties for components at www.anovafurnishings.com/warranty.aspx.



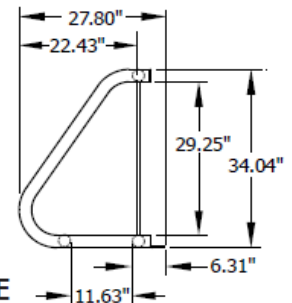
Model BRP300E



Model No. BRP300



Model No. BRP300E



SHIPPING INFORMATION

Model No.	Unit Weight	Unit Shipping Wt. UPS	Unit Shipping Wt. Truck (1+ Units)	Unit Ship Size w/Pallet	Max Units Per Pallet	Pallet Size/Wt. (84" X 36")	Total No. Pkgs.	Shipping Class
BRP300	120 lbs.	N/A	137 lbs./unit	27 cu. ft.	3	100 lbs.	1	150
BRP300E	225 lbs.	N/A	237 lbs./unit	42 cu. ft.	1	100 lbs.	1	150