



Assembly Instructions

Ultra Single-Side Bike Rack, 7-Bike Capacity
SBRP300 - Low-Profile Fusion Advantage Finish
BRP300 - Powder Coated Finish

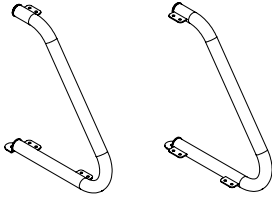
anovafurnishings.com
888.535.5005 tel

TOOLS NEEDED:

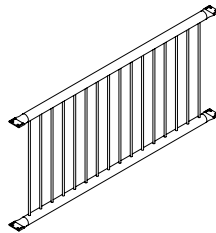
- Ratchet with 9/16" Socket
- 9/16" Wrench



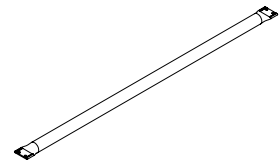
COMPONENT PARTS:



(2) End Sections

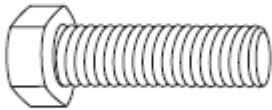


(1) Center Section



(1) Support

ASSEMBLY HARDWARE: All hardware is stainless steel.



(12)
3/8" x 1.5"
Hex Head Bolt



(12)
3/8"
Flanged Nut



(24)
3/8"
Flat Washer

ASSEMBLY:

1. Inspect the shipping container contents for damage and to determine that all components and hardware are present.
2. Lay all parts on a soft work surface or on the shipping packaging to prevent damage to finish.

NOTE: Before assembling the nuts to the bolts, it is recommended that a light oil or petroleum jelly be applied to the screw threads.

- One at a time, align Center Section holes above End Section holes as shown.

Using 4 bolts, 4 nuts and 8 washers, secure the Center Section to the End Section as shown.

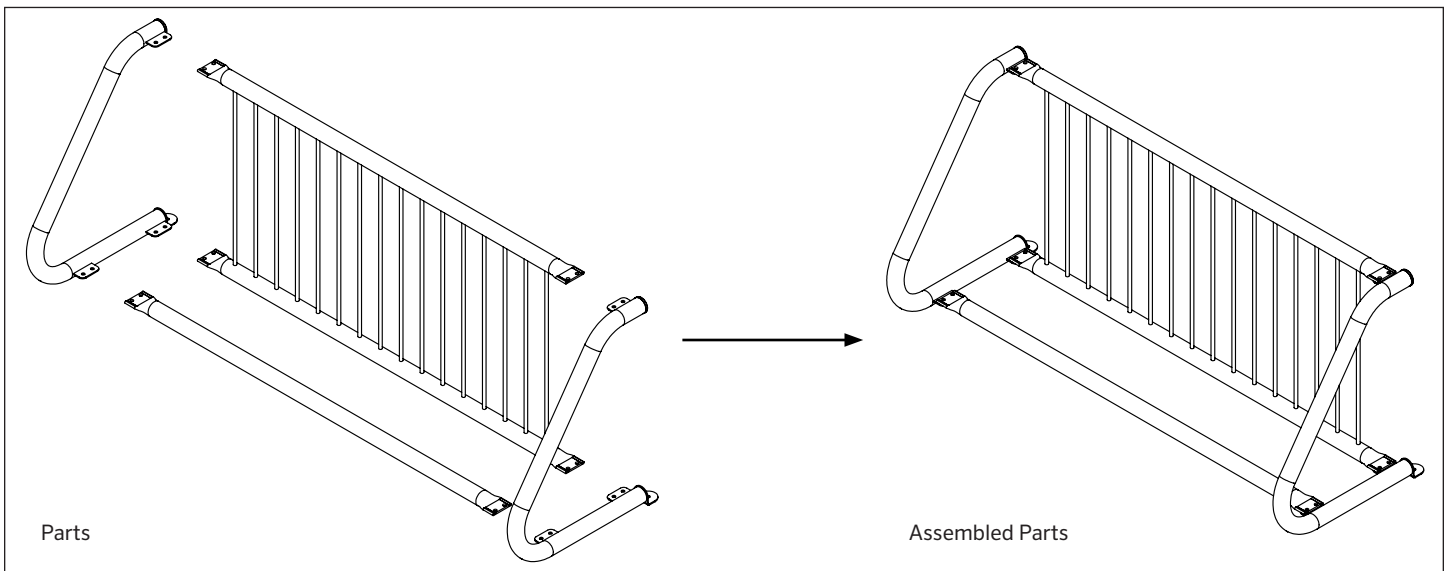
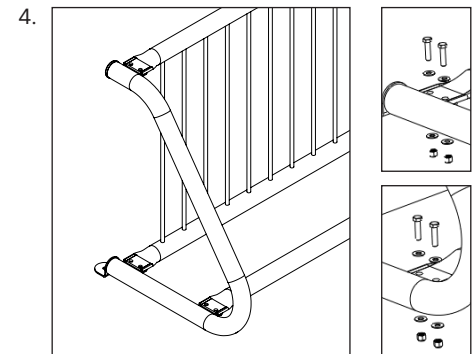
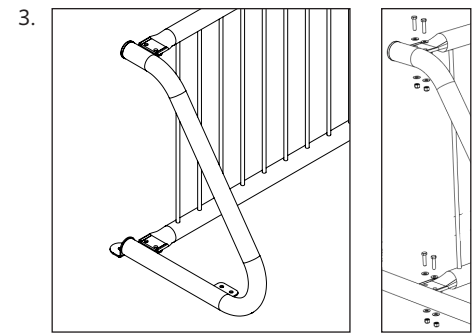
Repeat to secure the other side of the Center Section to the other End Section. Tighten all hardware finger tight so adjustments can be made during assembly.

- Align both Supports' holes above End Section holes as shown.

Using 2 bolts, 2 nuts and 4 washers, secure the Support to the End Section as shown.

Repeat to secure the other side of the Support to the other End Section. Tighten all hardware finger tight so adjustments can be made during assembly.

- After everything is in place, tighten all hardware with the ratchet and 9/16" wrench. Re-tighten all hardware after two weeks.



Note: Please contact Customer Care at 1-866-797-1761 when ordering replacement parts.



- Furniture must not be used other than for its intended purposes and should be inspected regularly for loose, missing, or broken hardware, and general instability.
- Furniture that is damaged or appears to be unstable must be removed from service and be repaired or replaced.
- Repairs must be made using only factory authorized parts and methods.

CARE AND MAINTENANCE

- Do not drag the assembled unit across any surface.
- This product requires only periodic cleaning with a sponge and a solution of mild detergent and water to remove surface dirt. Do not clean with a solvent or petroleum based products.