



211 North Lindbergh Blvd.
 St. Louis, MO 63141
 888.535.5005 tel
 314.754.0835 fax
 specify@anovafurnishings.com
 anovafurnishings.com



Model No. BRP304

Model No. BRP304E not pictured

Material

The bike rack is composed of 2.38" O.D. steel tube support sections and .5" O.D. steel rods welded at 7.5" intervals. The bike rack is protected by a fade resistant powder coat finish featuring a state of the art primer proven to prevent rusting.

The bike rack is 27.8" wide and 34.04" tall. The BRP304 rack (76.75" long) is designed to accommodate up to 7 bikes and the BRP304E rack (151.12" long) is designed to accommodate up to 14 bikes. Bikes may enter from either side of the rack. The bike rack is portable, allowing for flexibility in placement and the legs have predrilled tabs to allow for surface mounting to prevent movement.

Finish

Fade-resistant powder coated steel components feature a state-of-the art primer proven to prevent rusting. Treated components exceed industry standard by 34% in testing by independent sources.

Color

See website or sales representative for color choices.

Assembly

Some assembly is required.

Maintenance

Maintenance-free. To clean, spray with a power washer.

Warranty

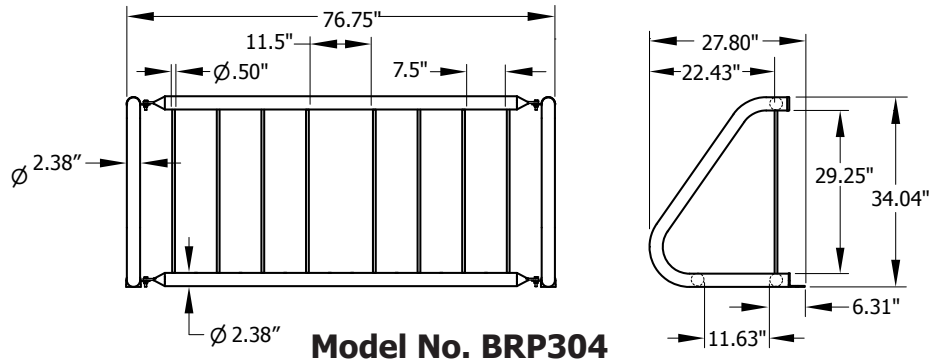
20-year limited structural warranty with 7-year finish warranty against fading; 3-year finish warranty on powder coated steel components against rusting, peeling, chipping, cracking, mold, mildew and defects in materials and/or workmanship. See full details on multi-year warranties for components at <https://www.anovafurnishings.com/warranty>

BRP304

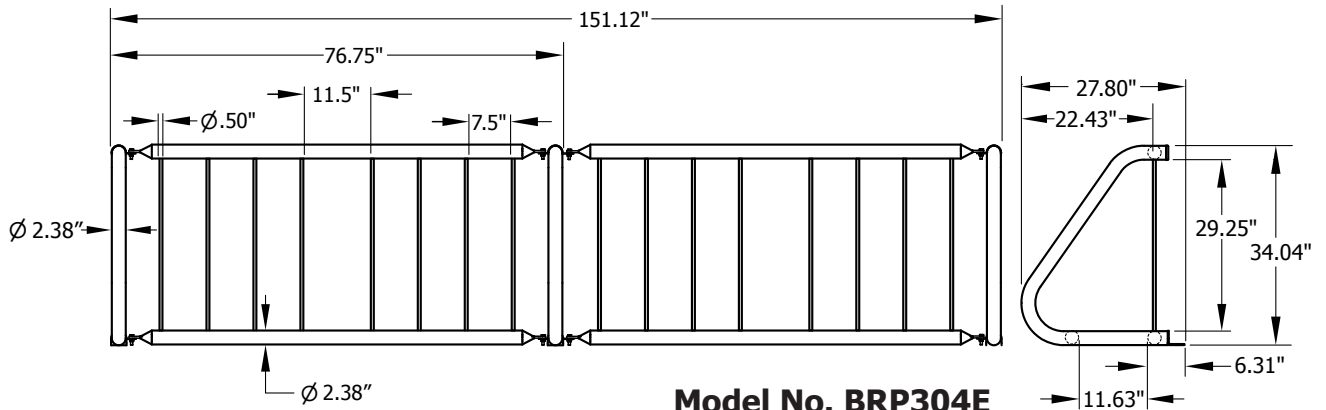
ULTRA Sport & Scooter Bike Rack, 7-Bike Capacity

BRP304E

ULTRA Sport & Scooter Bike Rack, 14-Bike Capacity



Model No. BRP304



Model No. BRP304E

Shipping Information

| Model No. | Unit Wt. | Unit Shipping Wt. UPS | Unit Shipping Wt. Truck (1+ units) | Unit Ship Size w/Pallet | Max Units per Pallet | Pallet Wt. (84" x 36") | Total No. Pkgs | Shipping Class |
|-----------|----------|-----------------------|------------------------------------|-------------------------|----------------------|------------------------|----------------|----------------|
| BRP304 | 105 lbs | NA | 125 lbs/unit | 16 cu. ft. | 3 | 100 lbs | 1 | 150 |
| BRP304E | 195 lbs | NA | 225 lbs/unit | 42 cu. ft. | 1 | 100 lbs | 1 | 150 |