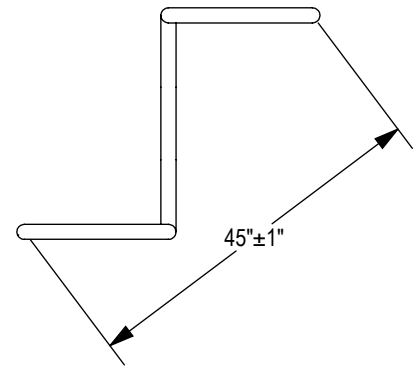
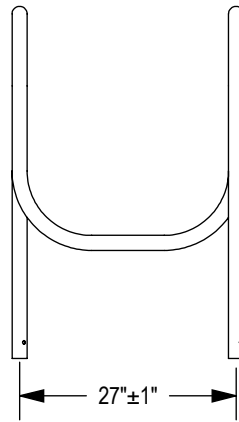


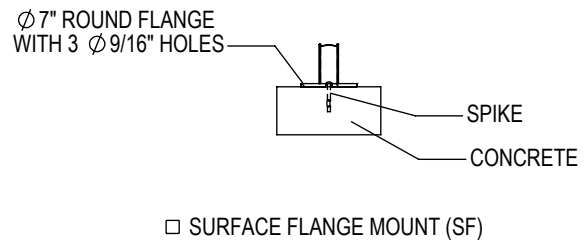
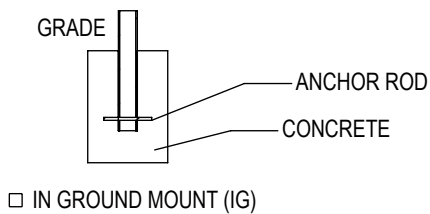
ELEVATION VIEWS



PLAN VIEW

2 HOOP - 4 BIKE CAPACITY

CHECK DESIRED MOUNT



PRODUCT: CIR-4-IG(SF)
 DESCRIPTION: CIRCA 2000 BIKE RACK
 4 BIKE, SURFACE OR IN GROUND MOUNT
 DATE: 10-15-18
 ENG: SMC

CONFIDENTIAL DRAWING AND INFORMATION IS NOT TO BE COPIED OR DISCLOSED TO OTHERS WITHOUT THE CONSENT OF GRABER MANUFACTURING, INC. SPECIFICATIONS ARE SUBJECT TO CHANGE WITHOUT NOTICE.

NOTES:
 1. INSTALL BIKE RACKS ACCORDING TO MANUFACTURER'S SPECIFICATIONS.
 2. CONSULTANT TO SELECT COLOR (FINISH), SEE MANUFACTURER'S SPECIFICATIONS.
 3. SEE SITE PLAN FOR LOCATION OR CONSULT OWNER.