



**CIRBLEBR— Tandem Powder Coated Bike Rack, Surface Mount**

Tandem powder coated steel bike rack, surface mount

**Material**

The bike rack is 32.25" tall and made from 2.38" O.D. x 10-gauge wall steel tubing. Bike rack will accommodate up to two bikes, one on each side of the rack.

The bike rack is designed to be surface mounted. Each leg features a 7.75" x 5.5" plate with three .5" diameter predrilled holes for surface mounting to prevent movement.

**Surface mounting is required;** mounting hardware is not included.

**Finish**

Fade-resistant, powder coated steel features a state-of-the-art primer proven to prevent rusting. Treated components exceed the industry standard by 34% in testing by independent sources.

**Color**

See website or sales representative for color choices.

**Assembly**

The bike rack ships fully assembled and ready for use. Surface mounting may require some assembly.

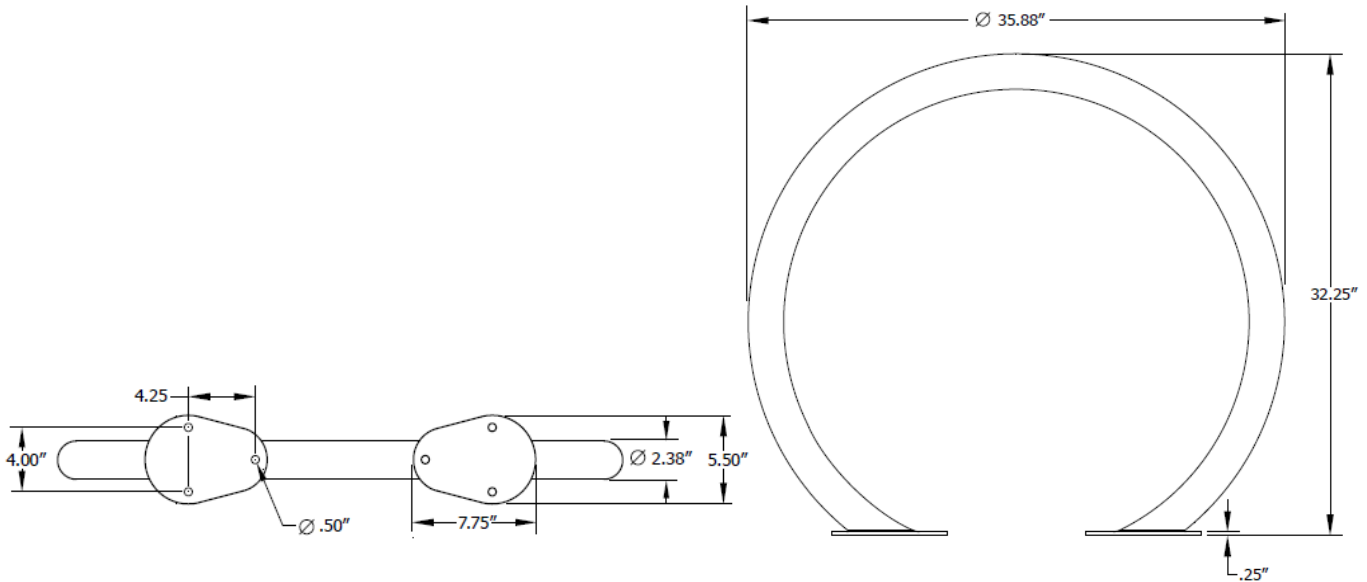
**Maintenance**

The product is virtually maintenance-free and requires only periodic cleaning with a sponge and a solution of mild detergent and water to remove surface dirt. Do not clean with petroleum base products.

**Warranty**

20-year limited structural warranty with 7-year finish warranty against fading; 3-year finish warranty on powder coated steel components against rusting, peeling, chipping, cracking, mold, mildew and defects in materials and/or workmanship. See full details on multi-year warranties for components at

<https://www.anovafurnishings.com/warranty>



**SHIPPING INFORMATION**

Unit Weight	Unit Shipping Wt. UPS (1-2 Units)	Unit Shipping Wt. Truck (3+ Units)	Unit Ship Size w/Pallet	Max Units Per Pallet	Pallet Size/Wt. (48" X 32")	Total No. Pkgs.	Shipping Class
22 lbs.	25 lbs./unit	25 lbs./unit	10 cu. ft.	8	50 lbs.	1	70