



CIRCLEBRS2IG — Circle Stainless Steel Bike Rack, Inground Mount

Circle shape stainless steel bike rack, inground mount

Material

The bike rack is 32.25" tall and made from 2.38" O.D. Schedule 10, 316L stainless steel pipe support sections. 316/316L stainless steel derives its advantage through an addition of at least 2% molybdenum. Molybdenum provides increased resistance to corrosion including sea water and deicing salt environments. Bike rack will accommodate up to two bikes, one on each side of the rack.

The legs are designed to extend 15.25" into the ground for a sturdy inground mount.

Finish

316/316L stainless steel is highly resistant to salt corrosion, rusting, pitting, and cracking. It remains clean and rust-free without paint or alternative finish.

Color

See website or sales representative for color choices.

Assembly

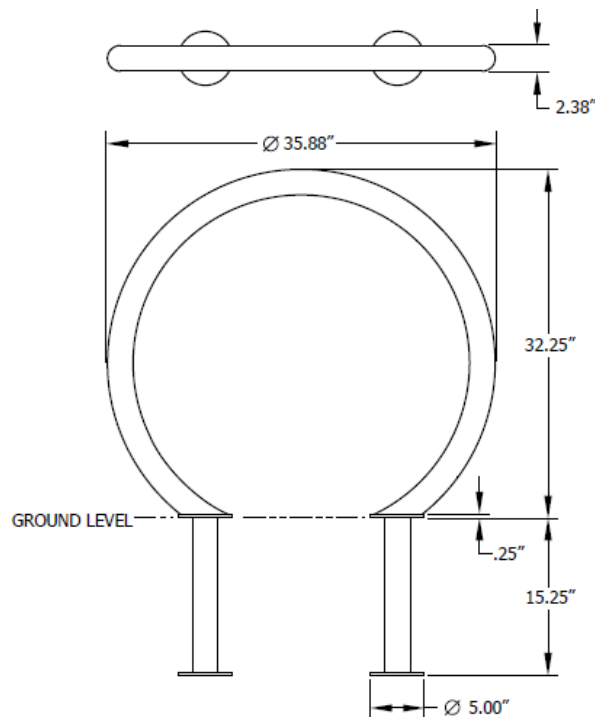
The bike rack ships fully assembled and ready for use. Inground mounting may require some assembly.

Maintenance

Clean periodically, as conditions dictate. See ANOVA® stainless steel care guide at <http://www.anovafurnishings.com/sites/default/files/products/CIRCLEBRS2IG/resources/stainless-steel-maintenance.pdf>.

Warranty

20-year limited structural warranty from the date of purchase. See full details on multi-year warranties for components at www.anovafurnishings.com/warranty.aspx.



SHIPPING INFORMATION

Unit Weight	Unit Shipping Wt. UPS (1-2 Units)	Unit Shipping Wt. Truck (3+ Units)	Unit Ship Size w/Pallet	Max Units Per Pallet	Pallet Size/Wt. (48" X 48")	Total No. Pkgs.	Shipping Class
47 lbs.	50 lbs./unit	50 lbs./unit	13 cu. ft.	8	50 lbs.	1	250