



anovafurnishings.com
888.535.5005 tel

ASSEMBLY INSTRUCTIONS

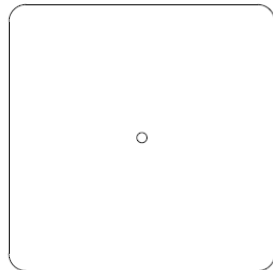
D1111	Square Table	F1118	Octagonal Table
D1113	Round Table	F1121	Octagonal Table
D6013	Square Table	L1111	Square Table
D6013COM	Square Commemorative Table		
F1111	Square Table		
F1113	Round Table		
F1117	Square Table		



TOOLS NEEDED:

- 1/2" Open-end or Box-end Wrench
- Ratchet Wrench with 1/2" Socket
- Level
- Rubber Mallet or Hammer

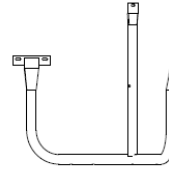
TABLE COMPONENTS:



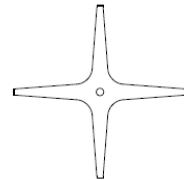
1x Tabletop
Square, Round, or
Octagonal



4x Seat
(Traditional or
Rolled Edge)

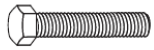


4x Leg



1x Cross Brace

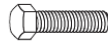
ASSEMBLY HARDWARE:



4x
5/16" X 2.25" Long
Hex Head Bolt



24x
5/16"
Flanged Hex Nut



20x
5/16" X 1.25" Long
Hex Head Bolt



48x
5/16"
Washer

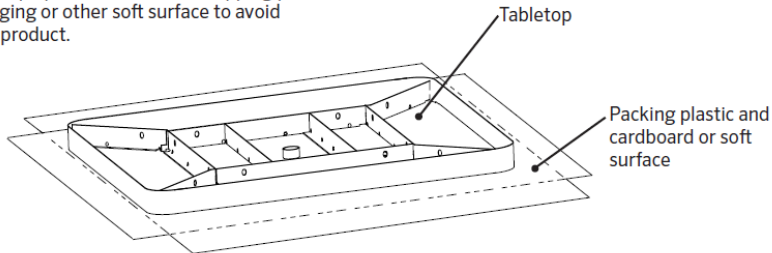


8x
Plastisol Plug

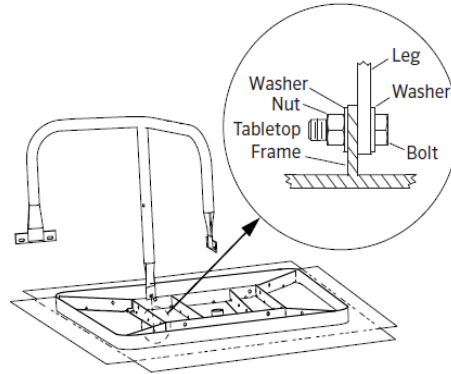
ASSEMBLY:

The assembly is a two-person operation.

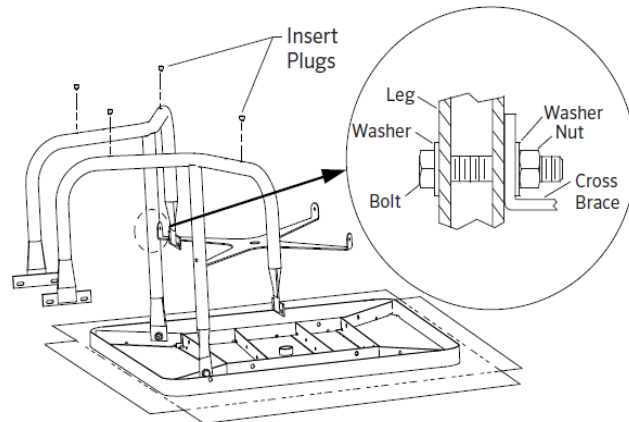
1. Inspect the contents for damage and to determine that all components and hardware are present.
2. Place the tabletop upside down on the shipping plastic over the packaging or other soft surface to avoid scratching the product.



- Place one of the Table Legs next to the tabletop frame support as shown. When viewing down the frame support from the outside of the table, the Leg should go on the right side of the frame support. Put a Washer on one of the 1.25" long Bolts and insert the Bolt through the Leg and frame support with the bolt head toward the outside of the Tabletop. Install a Washer and Nut to the Bolt and hand tighten, leaving the Nut finger-tight. Repeat this step for each of the three remaining Legs.

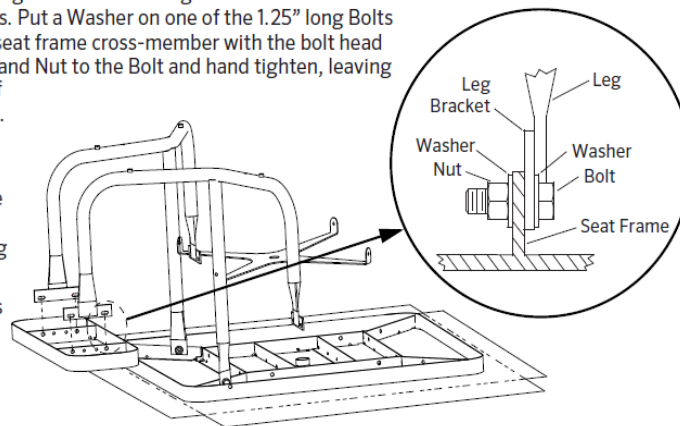


- After all the Legs are attached (only two are shown here for clarity), install the Cross Brace. Put a Washer on one of the 2.25" long Bolts and insert the Bolt through the Leg and Cross Brace with the bolt head toward the outside of the Tabletop. Install a Washer and Nut to the Bolt and hand tighten, leaving the Nut finger-tight. Repeat this step for each of the three remaining Legs.



- Use a Rubber Mallet or Hammer to seat the Plastisol Plugs into the holes on the bottom of each Leg.

- Position a Seat upside-down next to one of the Legs as shown. The leg brackets attach to the outside of each of the seat frame cross-members. Put a Washer on one of the 1.25" long Bolts and insert the Bolt through the leg bracket and seat frame cross-member with the bolt head toward the outside of the Seat. Install a Washer and Nut to the Bolt and hand tighten, leaving the Nut finger-tight. Repeat this step for each of the three remaining mounting holes in that Seat. Install the three remaining Seats in the same manner.



- Turn the table right side up and tighten the table frame hardware while checking with a Level; minor adjustments can be made while tightening the hardware to make the Tabletop level.
- Tighten the hardware on each of the seat frames while checking the Seat with a Level; minor adjustments can be made while tightening the hardware to make the Seat level.
- Retighten all hardware two weeks after initial assembly.



WARNING

- Furniture must not be used other than for its intended purpose and should be inspected regularly for loose, missing, or broken hardware, and general instability.
- Furniture that is damaged or appears to be unstable must be removed from service and be repaired or replaced.
- Repairs must be made using only factory authorized parts and methods.

CARE AND MAINTENANCE

- Do not drag the assembled unit across any surface.
- This product requires only periodic cleaning with a sponge and a solution of mild detergent and water to remove surface dirt. Do not clean with a solvent or petroleum based products.