

211 North Lindbergh Blvd.
 St. Louis, MO 63141
 888.535.5005 tel
 314.754.0835 fax
specify@anovafurnishings.com
anovafurnishings.com



D1145
STREETSIDE Square
Perforated Steel Café Chair

Material

The chair is made using 1" diameter steel tubing for the frame and legs and the seat is made of 12-gauge perforated steel with a .56" diameter uniform hole pattern and features a traditional edge. The chair seat is protected by Fusion Advantage™, a plastisol coating with an average .125" thickness and a high-gloss powder coat. The seat will support 200 lbs per linear foot.

The legs are protected by a fade resistant powder coat finish featuring a state of the art primer proven to prevent rusting, and have plastic glides to protect the floor or supporting surface.

Finish

Fusion Advantage is a heat fused plastisol coating that creates an impervious rustproof barrier and resists UV deterioration, mildew, staining and fading.

The finish has been tested to the requirements of ASTM E1354 and is determined to be in compliance with California Uniform Fire Code 1103.2.1.4.2.

A state of the art primer is applied to all of the under supports, providing extreme rust fighting protection and durability. Treated components exceed the industry standard by 34% in testing by independent sources.

Color

See website or sales representative for color choices.

Assembly

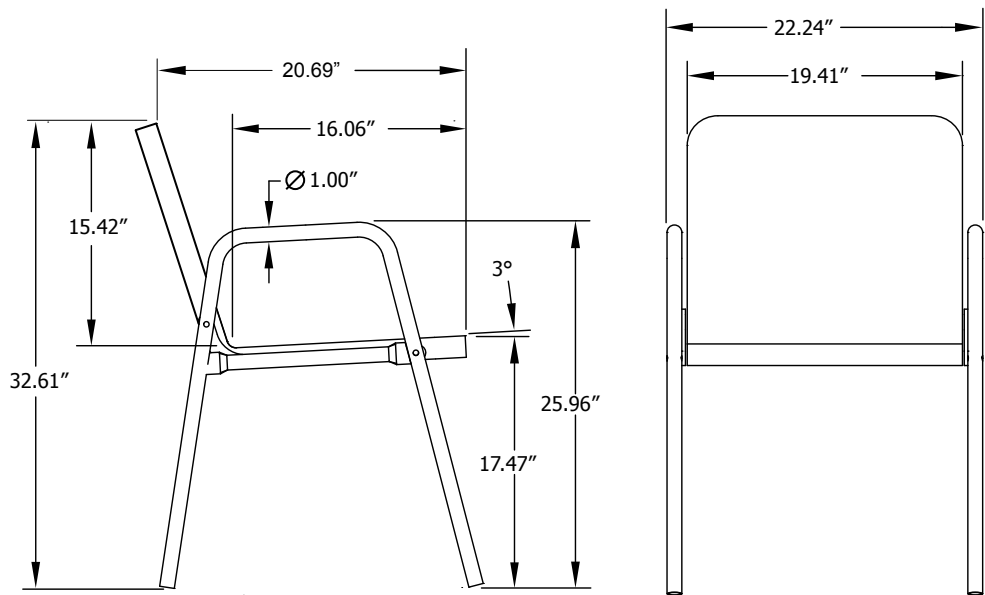
Some assembly is required. Stainless steel assembly hardware is included.

Maintenance

The product is virtually maintenance-free and requires only periodic cleaning with a sponge and a solution of mild detergent and water to remove surface dirt. Do not clean with solvent or petroleum based products.

Warranty

20-year limited structural warranty with 7-year finish warranty from the date of purchase. See full details on multi-year warranties for components at www.anovafurnishings.com/warranty.aspx.



Shipping Information

Unit Wt.	Unit Shipping Wt. UPS	Unit Shipping Wt. Truck (1+ Units)	Unit Ship Size	Max Units per Pallet	Pallet Wt. (32" x 48")	Total No. Pkgs	Shipping Class
38 lbs	N/A	47 lbs/unit	31 cu. ft.	24	50	2	70