



211 North Lindbergh Blvd.
 St. Louis, MO 63141
 800.231.1327 tel. | 314.754.0835 fax
specify@anovafurnishings.com
 anovafurnishings.com

E32TPAC — Element 32 Gallon Trash Receptacle with Ash Cover Top

32-gallon trash receptacle with steel panels, ash cover top, plastic liner and rubber feet



Oval pattern shown.

Material

The 32-gallon receptacle is composed of 14-gauge steel panels supported by a non-rusting aluminum frame. The receptacle features two side openings for easy trash disposal. The steel panels feature a choice of three uniformly spaced architectural perforated patterns. The available patterns are ovals, parquet, or embossed.

The ash cover top is made of high-density polyethylene and features a 1.5" deep built-in ashtray. The top includes a 14" web security strap; ashtray includes a generous supply of black beauty sand substitute. The top lifts off for easy trash removal. Receptacle includes rubber feet and a reusable plastic liner made of black high-density polyethylene.

The receptacle is designed to be portable for flexibility in placement or surface mounted to prevent movement; optional hold down kit is available.

Finish

Fade-resistant, powder coated steel panels feature a state-of-the-art primer proven to prevent rusting. Treated components exceed the industry standard by 34% in testing by independent sources.

Color

See website or sales representative for color choices.

Assembly

The receptacle ships fully assembled and ready for use. Using the optional hold down kit may require some assembly.

Maintenance

The product is virtually maintenance-free and requires only periodic cleaning with a sponge and a mild detergent and water solution to remove surface dirt. Do not clean with solvent or petroleum base products.

Warranty

20-year limited structural warranty with 7-year finish warranty against fading; 3-year finish warranty on powder coated steel components against rusting, peeling, chipping, cracking, mold, mildew and defects in materials and/or workmanship. See full details on multi-year warranties for components at <https://www.anovafurnishings.com/warranty>

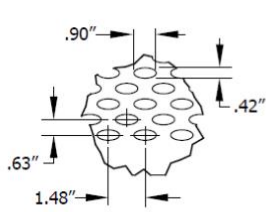
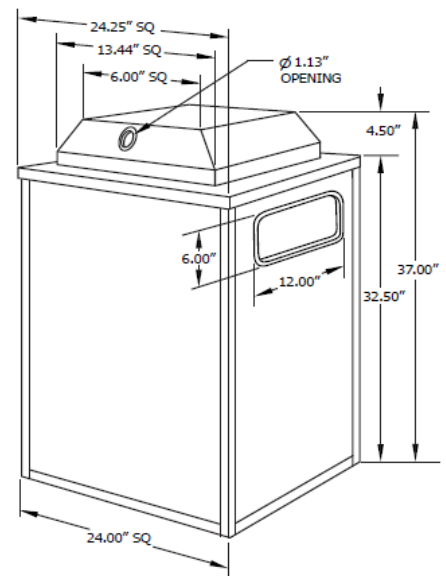
Replacement Parts

Black Plastic Liner R-WR32PLR

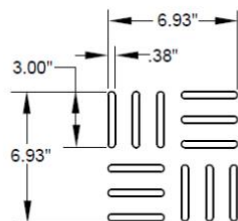
Black Beauty Sand Substitute
 5 lb bag SAND5
 10 lb bag SAND10
 25 lb bag SAND25
 50 lb bag SAND50

Accessories

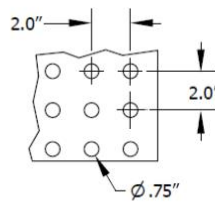
Hold Down Kit PANELHLD
 Ash Sifter SIFTER



PERFORATED OVALS
 .42" X .90" OVALS



PARQUET PATTERN
 .38" WIDE SLOTS



EMBOSSED
 .75" DIAMETER DIMPLES

SHIPPING INFORMATION

Unit Weight	Unit Shipping Wt. UPS	Unit Shipping Wt. Truck (1+ Units)	Unit Ship Size w/Pallet	Max Units Per Pallet	Pallet Wt.	Total No. Pkgs.	Shipping Class
101 lbs.	N/A	118 lbs./unit	13 cu. ft.	N/A	N/A	1	125