

211 North Lindbergh Blvd.
 St. Louis, MO 63141
 800.231.1327 tel. | 314.754.0835 fax
specify@anovafurnishings.com
anovafurnishings.com

F1178— Euro Bike Station, Inground Mount

Euro steel bike station, inground mount

Material

The bike station is 24.25" tall, made from 4" square steel tubing and features .5" O.D. steel rods. Bike station will accommodate up to eight bikes and occupies less than 14" of space when empty.

The inground pedestal post is designed to be mounted 24" into the ground for a sturdy support.

Finish

Fade-resistant, powder coated steel features a state-of-the-art primer proven to prevent rusting. Treated components exceed the industry standard by 34% in testing by independent sources.

Color

See website or sales representative for color choices.

Assembly

The bike station ships fully assembled and ready for use. Inground mounting may require some assembly.

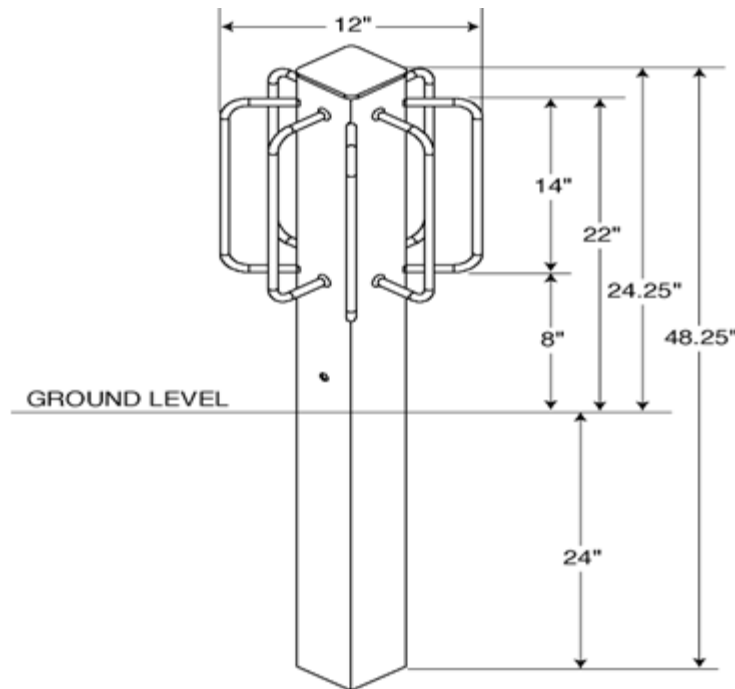
Maintenance

The product is virtually maintenance-free and requires only periodic cleaning with a sponge and a solution of mild detergent and water to remove surface dirt. Do not clean with petroleum base products.

Warranty

20-year limited structural warranty with 7-year finish warranty against fading; 3-year finish warranty on powder coated steel components against rusting, peeling, chipping, cracking, mold, mildew and defects in materials and/or workmanship. See full details on multi-year warranties for components at

<https://www.anovafurnishings.com/warranty>



SHIPPING INFORMATION

Unit Weight	Unit Shipping Wt. UPS (1-3 Units)	Unit Shipping Wt. Truck (4+ Units)	Unit Ship Size w/Pallet	Max Units Per Pallet	Pallet Size/Wt. (48" X 32")	Total No. Pkgs.	Shipping Class
35 lbs.	51 lbs./unit	38 lbs./unit	4 cu. ft.	12	50 lbs.	1	70