



**F1308 — Square Expanded Steel Picnic Table with 3-Seats**

**46" square ADA expanded steel picnic table with three flat seats with traditional edge, surface mount**

**Material**

The table has a 46.25" square table top and features three flat seats with traditional edges and meets ADA requirements. The table top and seats are 3/4 #9 expanded steel with a diamond shape pattern. The table top extends 18.11" from the frame on one side, allowing for wheelchair access. Table top also features a 1.64" diameter umbrella hole in the center. The table top is designed to support 100 lbs. per square foot and the seats will support 200 lbs. per linear foot.

The table frame and legs are made of 1.66" O.D. steel tubing and include two legs with feet that have predrilled .5" diameter holes for surface mounting to prevent movement.

Table **must be surface mounted** for stability and to comply with warranty and Federal regulations; mounting hardware is not included.

**Finish**

The table top and seats are protected by the patented Fusion Advantage™ finish. The plastisol coating has an average thickness of .125" and is encapsulated with a richly tinted, high performance powder coating that won't rust, fade, peel, chip, crack, mold or mildew. The finish has been tested to the requirements of ASTM E1354 and determined to be in compliance with California Uniform Fire Code 1103.2.1.4.2.

Fade-resistant, powder coated steel frame and legs feature a state-of-the-art primer proven to prevent rusting. Treated components exceed the industry standard by 34% in testing by independent sources.

**Color**

See website or sales representative for color choices.

**Assembly**

The table requires some assembly. Stainless steel assembly hardware is included.

**Maintenance**

The product is virtually maintenance-free and requires only periodic cleaning with a sponge and a solution of mild detergent and water to remove surface dirt. Do not clean with solvent or petroleum base products.

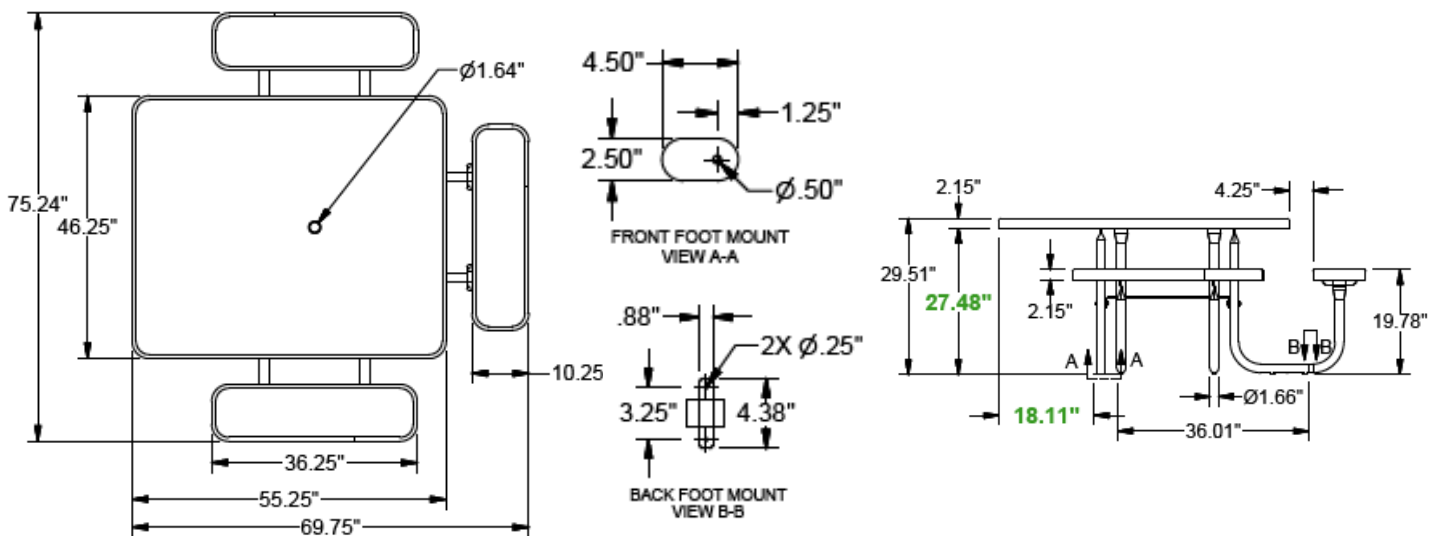
**Warranty**

20-year limited structural warranty with 7-year finish warranty from the date of purchase. See full details on multi-year warranties for components at [www.anovafurnishings.com/warranty.aspx](http://www.anovafurnishings.com/warranty.aspx).



**Accessories**

- 8' Standard Fabric Color Umbrella 7LPU
- 9' Standard Fabric Color Umbrella 9LPU
- Hold Down Kit/Set of 2 A2374



**SHIPPING INFORMATION**

Unit Weight	Unit Shipping Wt. UPS	Unit Shipping Wt. Truck (1+ Units)	Unit Ship Size w/Pallet	Max Units Per Pallet	Pallet Size/Wt. (48" x 48")	Total No. Pkgs.	Shipping Class
220 lbs.	N/A	249 lbs./unit	50 cu. ft.	3	50 lbs.	3	70