



anovafurnishings.com
888.535.5005 tel

ASSEMBLY INSTRUCTIONS

F1367 Ultra 4' Expanded Steel Flat Bench, Inground Mount

F1369 Ultra 6' Expanded Steel Flat Bench, Inground Mount

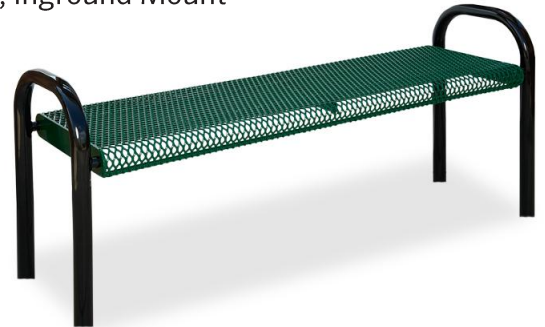
F1388 Ultra 4' Expanded Steel X-Wide Flat Bench, Inground Mount

F1362 Ultra 6' Expanded Steel X-Wide Flat Bench, Inground Mount

L1418 Ultra 6' Slotted Steel Flat Bench, Inground Mount

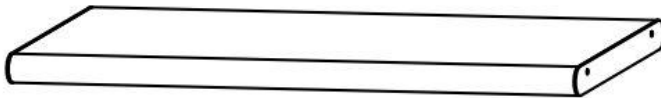
TOOLS NEEDED:

- Ratchet with 3/4" socket
- 3/4" Open-end or box-end wrench
- Level

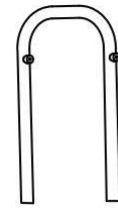


Model F1369 shown.
Seat style may vary.

BENCH COMPONENTS:

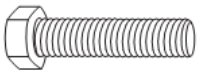


(1) Bench Seat

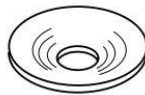


(2) Bench Supports

ASSEMBLY HARDWARE: All hardware is stainless steel.



(4) 1/2"-13 x 1 1/2" Hex Head Bolts



(4) 1/2" Spring Washers



(4) 1/2" Flat Washers

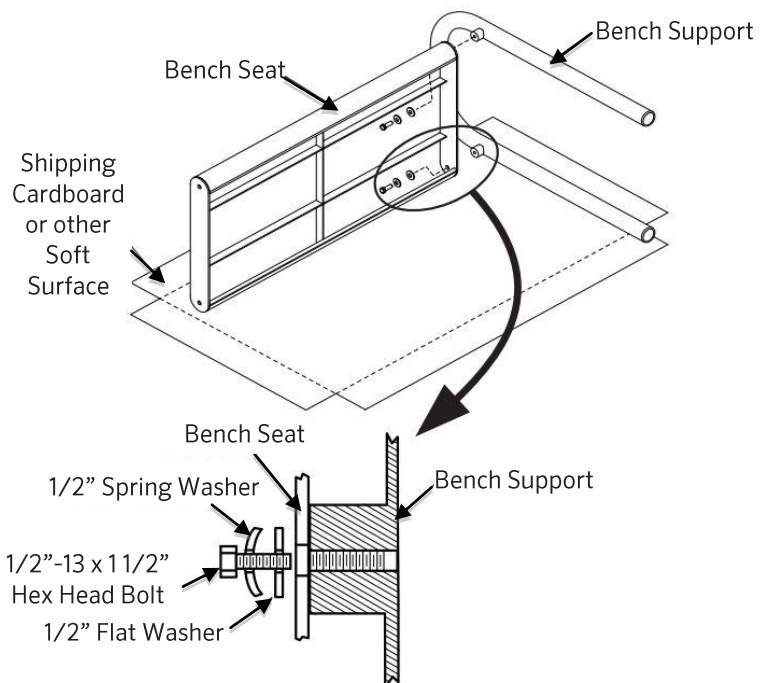
ASSEMBLY:

The assembly is a two-person operation.

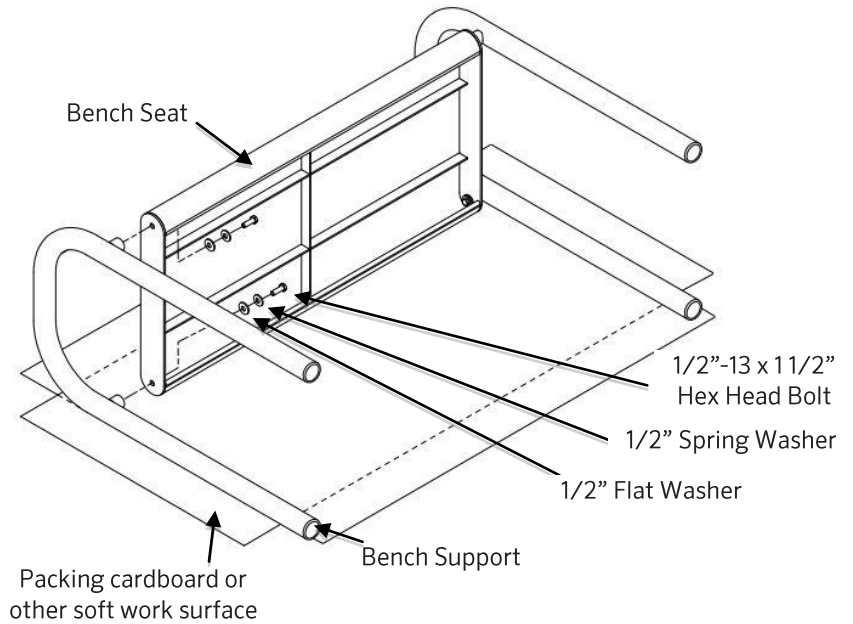
1. Inspect the shipping container contents for damage and to determine that all components and hardware are present.
2. Place the bench supports and the bench seat on the shipping packaging or other soft surface to avoid scratching the product.

NOTE: Before assembling the nuts to the bolts, it is recommended that a light oil or petroleum jelly be applied to the screw threads.

3. Turn the bench seat on one edge and align the mounting holes in one of the bench supports with the holes in the end of the bench seat. Place a concave 1/4" spring washer on one of the 1/2"-13 x 1 1/2" hex head bolts, making sure the concave face of the spring washer is facing away from the bolt head. Then place one of the 1/2" flat washers on the bolt. Install the bolt with washers through the bench seat into the threaded hole in the bench support. Tighten the bolt finger tight so that adjustments can be made later to level the bench seat.



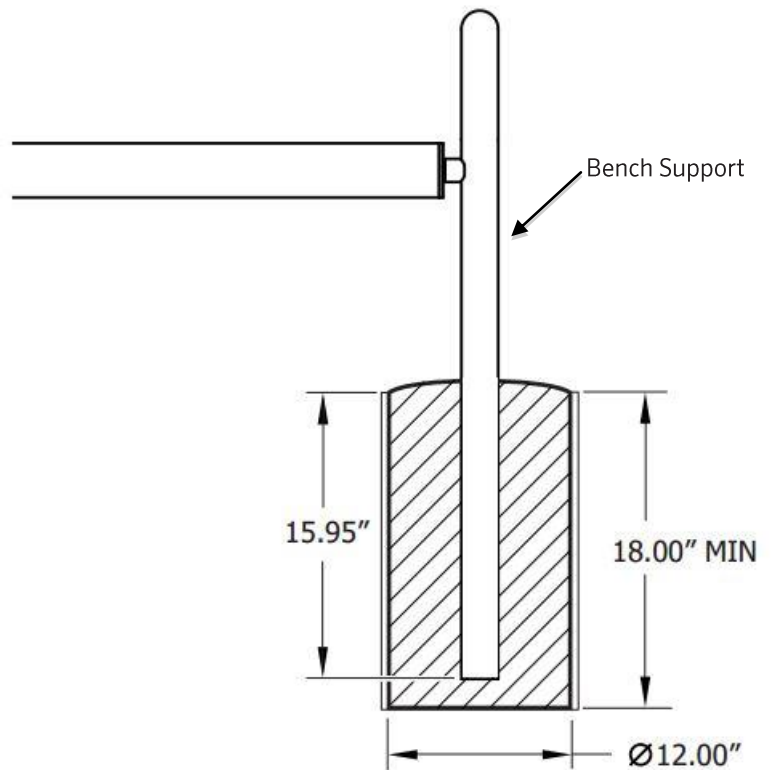
4. Install a 1/2"-13 x 1 1/2" hex head bolt, with a 1/2" spring washer and a 1/2" flat washer through the other mounting hole at this end of the bench. Again, leave the hardware finger tight.
5. Attach the other bench support to the other end of the bench seat in the same manner. Leave the hardware finger tight so adjustments can be made to level the bench seat.
6. After both bench supports are attached to the bench seat, turn the bench right side up. Use the ratchet with 3/4" socket and 3/4" open-end or box-end wrench to tighten the bolts while checking the bench seat with a level.
7. After two weeks, retighten all of the hardware.

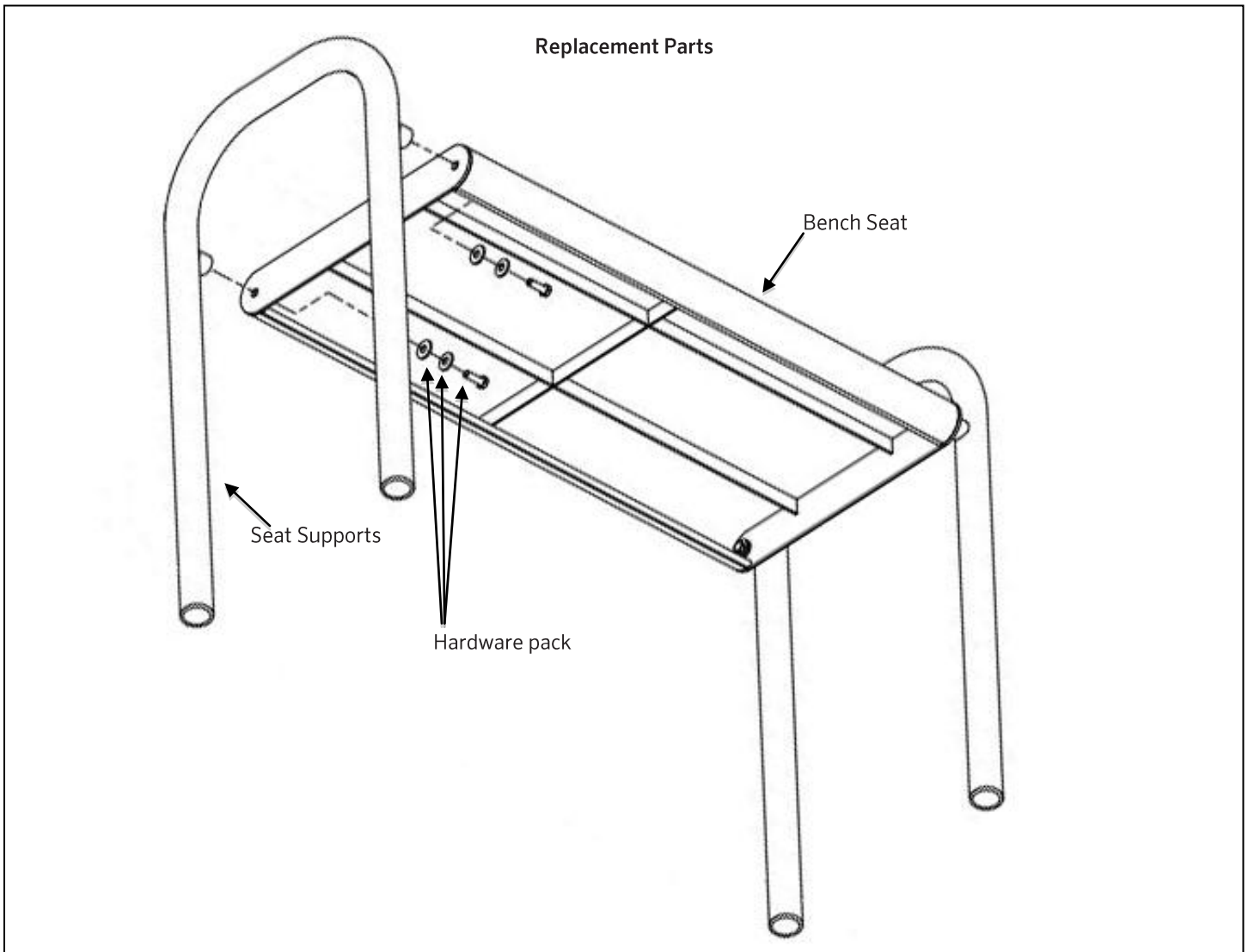


8. Determine the location for bench, locate underground utilities and avoid them while digging holes for concrete bases.
9. The walls of the concrete base should be vertical and smooth as well as below the frost line to minimize the effects of frost upheaval. This can be achieved with the use of concrete forms, such as Sonotubes®.


NOTE: Consult a professional for loose or unusual soil conditions.

10. Create a temporary structure that will be used to support the bench, at the desired height and level, while the concrete is curing.
11. Fill forms with concrete and insert the support's legs, centered in concrete, until bench is supported by the temporary structure. Allow supports to fill with concrete. Crown the concrete cap to optimize drainage.
12. After concrete has cured remove temporary structure and retighten all hardware.





Note: Please contact Customer Care at 1-866-797-1761 to receive assistance in placing a replacement part order.

 WARNING	<ul style="list-style-type: none">• Furniture must not be used other than for its intended purpose and should be inspected regularly for loose, missing, or broken hardware, and general instability.• Furniture that is damaged or appears to be unstable must be removed from service and be repaired or replaced.• Repairs must be made using only factory authorized parts and methods.
CARE AND MAINTENANCE	<ul style="list-style-type: none">• Do not drag the assembled unit across any surface.• This product requires only periodic cleaning with a sponge and a solution of mild detergent and water to remove surface dirt. Do not clean with a solvent or petroleum based products.