



F1405 — Square Expanded Steel Picnic Table with 4-Seats, Rolled Edge and Single-Pedestal Surface Mount Plate

Square expanded steel picnic table with 46" square table top, 4 flat bench seats with rolled edge and single-pedestal, surface mount plate

Material

The table has a 46.25" square top and features four attached flat bench style seats. The table top and seats are 3/4" #9 expanded steel with a diamond shape cut-out pattern. The table top has a traditional style edge, is designed to support 100 lbs. per square foot and features a 1.53" diameter umbrella hole in the center. The seats have a rolled style edge and will support 200 lbs. per linear foot.

Seat supports are made of 2.38" O.D. steel tubing. The single-pedestal support post is made of 4" square steel tube and features an 11.75" square mounting plate with predrilled .5" diameter holes for surface mounting to prevent movement. **Surface mounting is required**; mounting hardware is not included.

Finish

Steel table top and seats are protected by the patented Fusion Advantage™ finish. The plastisol coating has an average thickness of .125" and is encapsulated with a richly tinted, high performance powder coating that won't rust, fade, peel, chip, crack, mold or mildew. The finish has been tested to the requirements of ASTM E1354 and determined to be in compliance with California Uniform Fire Code 1103.2.1.4.2.

Fade-resistant, powder coated steel pedestal, plate and seat supports feature a state-of-the-art primer proven to prevent rusting. Treated components exceed the industry by 34% in testing by independent sources.

Color

See website or sales representative for color choices.

Assembly

The table requires some assembly. Stainless steel assembly hardware is included.

Maintenance

The product is virtually maintenance-free and requires only periodic cleaning with a sponge and a solution of mild detergent and water to remove surface dirt. Do not clean with solvent or petroleum base products.

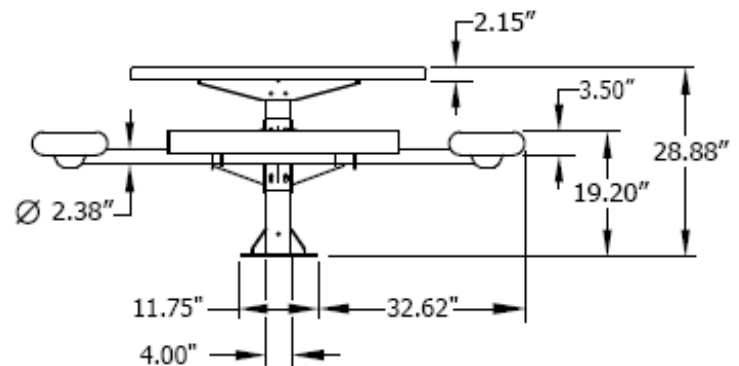
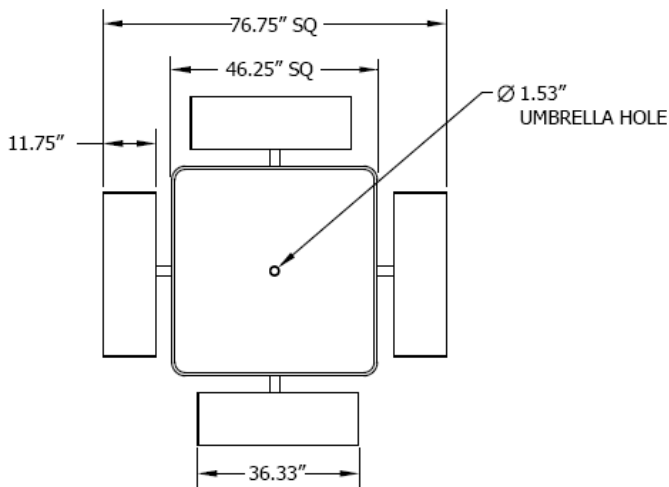
Warranty

20-year limited structural warranty with 7-year finish warranty from the date of purchase. See full details on multi-year warranties for components at www.anovafurnishings.com/warranty.aspx.



Accessories

- 8' Lucaya Umbrella – Standard Fabric Color 7LPU
- 9' Lucaya Umbrella – Premium Fabric Color 9LPU



SHIPPING INFORMATION

Unit Weight	Unit Shipping Wt. UPS	Unit Shipping Wt. Truck (1+ Units)	Unit Ship Size w/Pallet	Max Units Per Pallet	Pallet Size/Wt. (48" x 48")	Total No. Pkgs.	Shipping Class
286 lbs.	N/A	305 lbs./unit	28 cu. ft.	3	50 lbs.	4	70