



anovafurnishings.com
888.535.5005 tel

ASSEMBLY INSTRUCTIONS

Ultra Tables with Portable/Surface Mount Legs

- F2015** - Expanded Steel Table, 4 Seats
- D2015** - Perforated Steel Table, 4 Seats
- L3015** - Slotted Steel Table, 4 Seats
- F2016** - Expanded Steel ADA Table, 3 Seats
- D2016** - Perforated Steel ADA Table, 3 Seats
- L3016** - Slotted Steel ADA Table, 3 Seats
- F2017** - Expanded Steel ADA Table, 2 Seats
- D2017** - Perforated Steel ADA Table, 2 Seats
- L3017** - Slotted Steel ADA Table, 2 Seats

Assembly Recommendations

To prevent scratching on any of the finished pieces, we recommend assembling the unit on packing material (paper and cardboard). Do not drag assembled unit on any surface. The assembly is a two-person operation.

Mounting Recommendations

For surface mounted products we recommend the use of stainless steel fasteners.

For inground mounted products follow the assembly instruction recommendations.

Cleaning Recommendations

For cleaning, use mild household cleansers or soap and water. Do not use vinyl cleansers or protectants.

Parts List

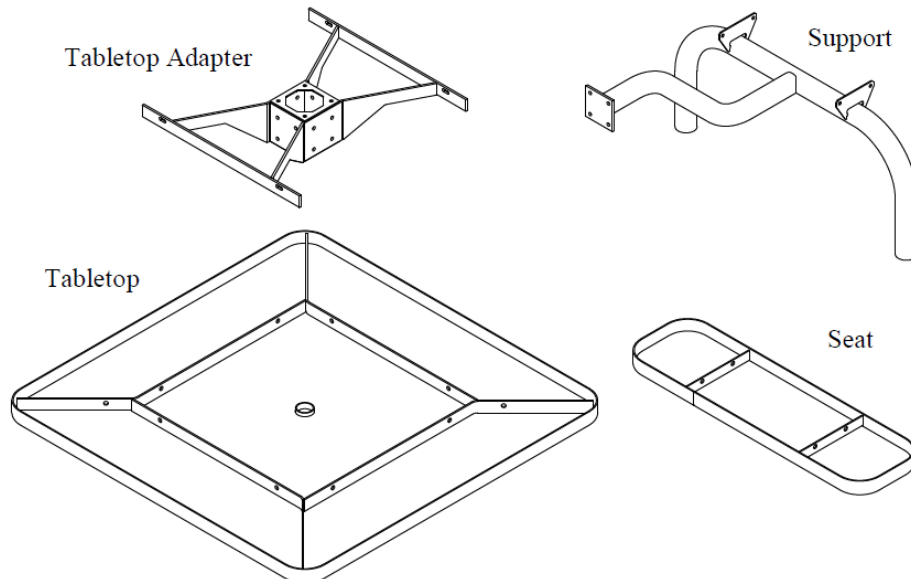
- 1-Tabletop Adapter
- 2, 3, or 4 - Supports
- 2, 3 or 4 - Seats
- 1-Tabletop

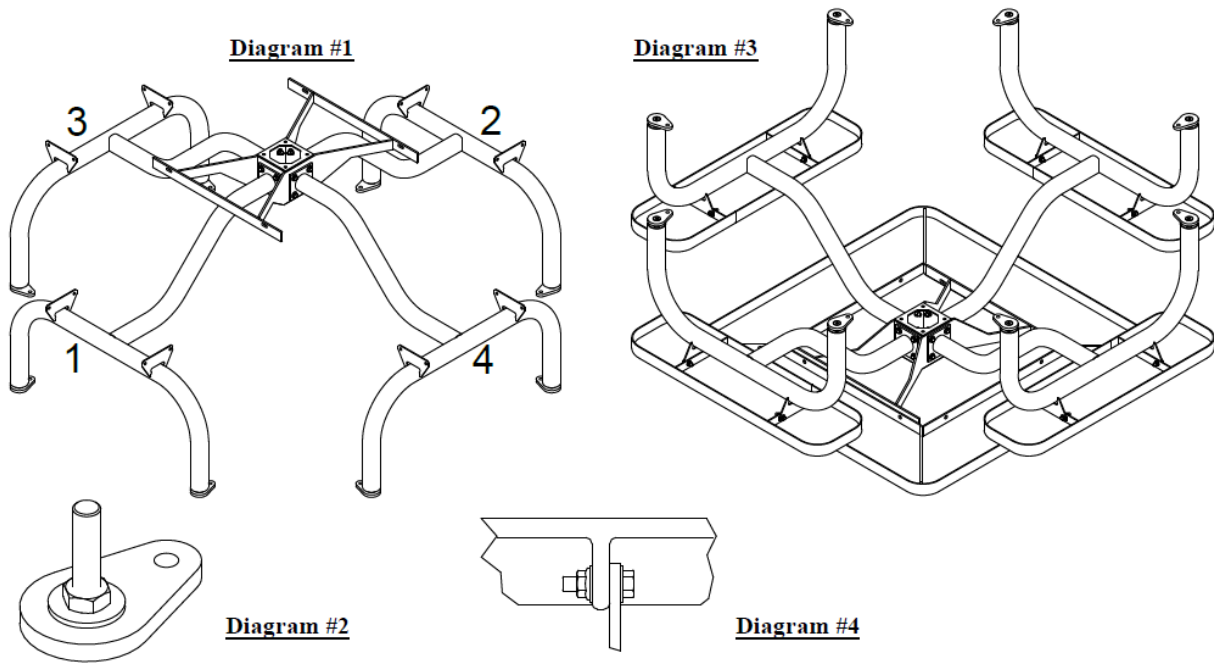
Hardware Included

- 8, 12 or 16 - 3/8" x 1 1/4" Hex Head Cap Screw
- 8, 12 or 16 - 3/8" Lock Nut
- 16, 24 or 32 - 3/8" Flat Washer
- 4, 6 or 8 - Leveler
- 4, 6 or 8 - 1/2" x 2 1/2" Flat Head Cap Screw
- 4, 6 or 8 - 1/2" Flat Washer
- 4, 6 or 8 - 1/2" Jam Nut
- 12, 16 or 20 - 5/16" x 1 1/4" Hex Head Cap Screw
- 12, 16 or 20 - 5/16" Flange Nut
- 24, 32 or 40 - 5/16" Flat Washer

Tools Needed

- Ratchet with 9/16" Socket
- 9/16" Wrench
- Ratchet with 1/2" Socket
- 1/2" Wrench
- 5/16" Hex Key Wrench
- 3/4" Wrench
- Level





Note: Before assembling nuts to bolts it is recommended that a light oil or petroleum jelly be applied to the threads.

1. Place tabletop adapter and supports on packing material, on a level surface.
2. For a 2-seat assembly, locate supports at positions 1 and 2 as shown in Diagram #1.
3. For a 3 or 4 seat assembly, locate additional supports at position 3 and/or 4 as shown in Diagram #1.
4. Align support holes with tabletop adapter holes at position 1, as shown in Diagram #1.
5. Insert 3/8" x 1 1/4" hex head cap screws through holes with washers on both sides, and attach nuts, as shown in Diagram #1. Do not fully tighten hardware.
6. Repeat steps 4 and 5 for the supports at position 2, 3 or 4.
7. Assemble each leveler by inserting 1/2" x 2 1/2" flat head cap screw into countersunk hole in leveler, place 1/2" flat washer over cap screw and then install and tighten 1/2" jam nut on cap screw, as shown in Diagram #2.
8. Screw each leveler completely into the bottom of each support, as shown in Diagram #1.
9. Position the table support assembly in the location it is to be used and adjust all levelers to make surface contact and level the tabletop adapter. The levelers may be adjusted out a maximum of 1", from their full in position, before losing the appropriate thread engagement. **Torque the fasteners that attach the supports to the tabletop adapter, to 45 ft. lbs.**
10. If the table support assembly is going to be surface mounted, determine a location for the support assembly that has a suitable foundation for surface mounting. Position the anchoring hole in the leveler perpendicular to the support and towards the center of the table, as shown in Diagram #1. Fasten (surface mounting hardware not included) the table support assembly to the foundation.
11. Align seat support holes with holes in seat, on the outside of the seat brackets, as shown in Diagram #3.
12. Insert 5/16" x 1 1/4" cap screws through holes with washers on both sides, and attach nuts, as shown in Diagram #4.
13. Align tabletop adapter holes with holes in tabletop, on the outside of the tabletop adapter, as shown in Diagram #3.
14. Insert 5/16" x 1 1/4" cap screws through holes with washers on both sides, and attach nuts, as shown in Diagram #4.
15. Retighten the hardware that attaches the tabletop and seats two weeks after initial assembly.



WARNING

- Furniture must not be used other than for its intended purpose and should be inspected regularly for loose, missing, or broken hardware, and general instability.
- Furniture that is damaged or appears to be unstable must be removed from service and be repaired or replaced.
- Repairs must be made using only factory authorized parts and methods.

CARE AND MAINTENANCE

- Do not drag the assembled unit across any surface.
- This product requires only periodic cleaning with a sponge and a solution of mild detergent and water to remove surface dirt. Do not clean with a solvent or petroleum based products.