

211 North Lindbergh Blvd.
 St. Louis, MO 63141
 888.535.5005 tel
 314.754.0835 fax
specify@anovafurnishings.com
anovafurnishings.com



F3206
RECYCLING TOP
 recycling dome top with visors for
 32-gallon receptacle

Material

The 32-gallon receptacle dome top is composed of 14-gauge spun galvanized steel. The top features 5" diameter recycling openings. The top is supplied with factory applied decals; the customer must select either "bottles" or "cans." The openings are protected by steel visors that keep the weather out.

Finish

Fade-resistant powder coated steel components feature a state-of-the art primer proven to prevent rusting. Treated components exceed the industry standard by 34% in testing by independent sources.

Color

See website or sales representative for color choices.

Assembly

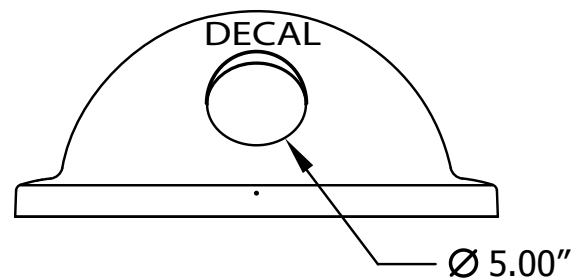
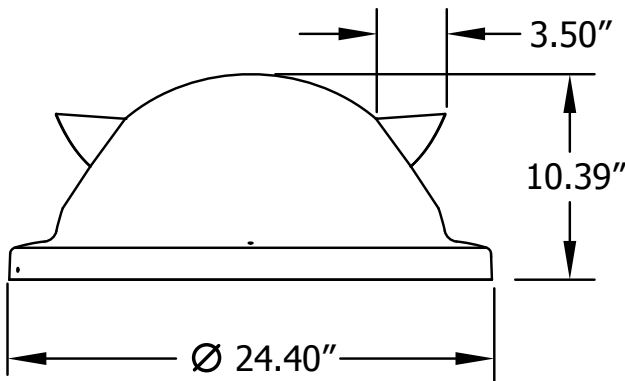
The top is shipped fully assembled and ready for use.

Maintenance

The product is virtually maintenance-free and requires only periodic cleaning with a sponge and a solution of mild detergent and water to remove surface dirt. Do not clean with solvent or petroleum based products.

Warranty

20-year limited structural warranty with 7-year finish warranty against fading; 3-year finish warranty on powder coated steel components against rusting, peeling, chipping, cracking, mold, mildew and defects in materials and/or workmanship. See full details on multi-year warranties for components at <https://www.anovafurnishings.com/warranty>



Shipping Information

Unit Wt.	Unit Shipping Wt. UPS (1 - 3 Units)	Unit Shipping Wt. Truck (4+ Units)	Unit Ship Size w/Pallet	Max Units per Pallet	Pallet Wt. 48" x 32"	Total No. Pkgs	Shipping Class
18 lbs	42 lbs/unit	22 lbs/unit	14 cu. ft.	16	50 lbs	1	100