

211 North Lindbergh Blvd.  
 St. Louis, MO 63141  
 888.535.5005 tel  
 314.754.0835 fax  
 specify@anovafurnishings.com  
**anovafurnishings.com**



**F3207**  
**OPEN HOOD TOP**  
 spun steel open hood top for  
 32-gallon receptacle

**Material**

The 32-gallon receptacle open hood top is composed of 14-gauge spun galvanized steel. The top features two 15.33" wide openings for easy trash disposal and includes 14" web security strap.

**Finish**

Fade-resistant powder coated steel components feature a state-of-the-art primer proven to prevent rusting. Treated components exceed the industry standard by 34% in testing by independent sources.

**Color**

See website or sales representative for color choices

**Assembly**

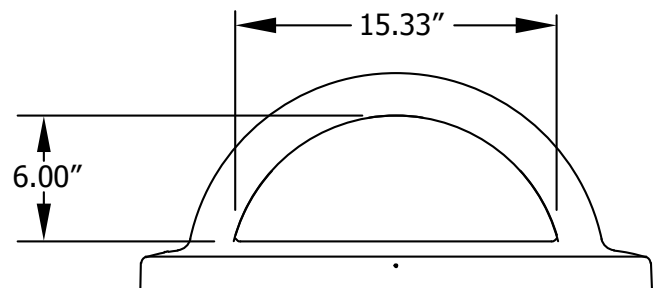
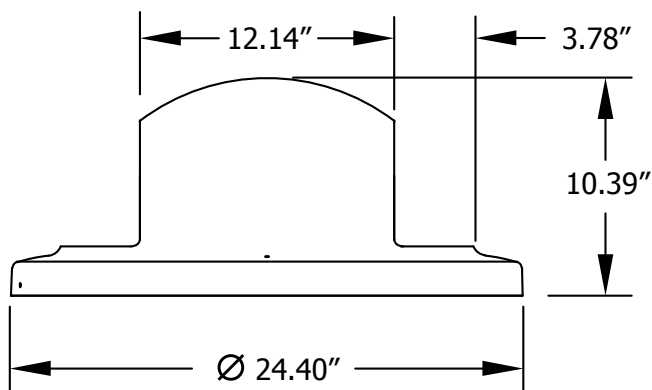
The top is shipped fully assembled and ready for use.

**Maintenance**

The product is virtually maintenance-free and requires only periodic cleaning with a sponge and a solution of mild detergent and water to remove surface dirt. Do not clean with solvent or petroleum based products.

**Warranty**

20-year limited structural warranty with 7-year finish warranty against fading; 3-year finish warranty on powder coated steel components against rusting, peeling, chipping, cracking, mold, mildew and defects in materials and/or workmanship. See full details on multi-year warranties for components at <https://www.anovafurnishings.com/warranty>



**Shipping Information**

Unit Wt.	Unit Shipping Wt. UPS (1 - 3 Units)	Unit Shipping Wt. Truck (4+ Units)	Unit Ship Size w/Pallet	Max Units per Pallet	Pallet Wt. 32" x 48"	Total No. Pkgs	Shipping Class
14 lbs	42 lbs/unit	18 lbs/unit	14 cu. ft.	16	50 lbs	1	100