



211 North Lindbergh Blvd.
 St. Louis, MO 63141
 888.535.5005 tel
 314.754.0835 fax
 specify@anovafurnishings.com
anovafurnishings.com



F3210 RENDEZVOUS BONNET TOP bonnet top for 55-gallon receptacle

Material

The 55-gallon receptacle bonnet top is composed of 16-gauge spun galvanized steel. The top features 7" x 12.86" openings for easy trash disposal and includes a 14" security strap. The bonnet top is protected by a fade resistant powder coat finish featuring a state of the art primer proven to prevent rusting.

Finish

Fade-resistant powder coated steel components feature a state-of-the art primer proven to prevent rusting. Treated components exceed the industry standard by 34% in testing by independent sources.

Color

See website or sales representative for color choices.

Assembly

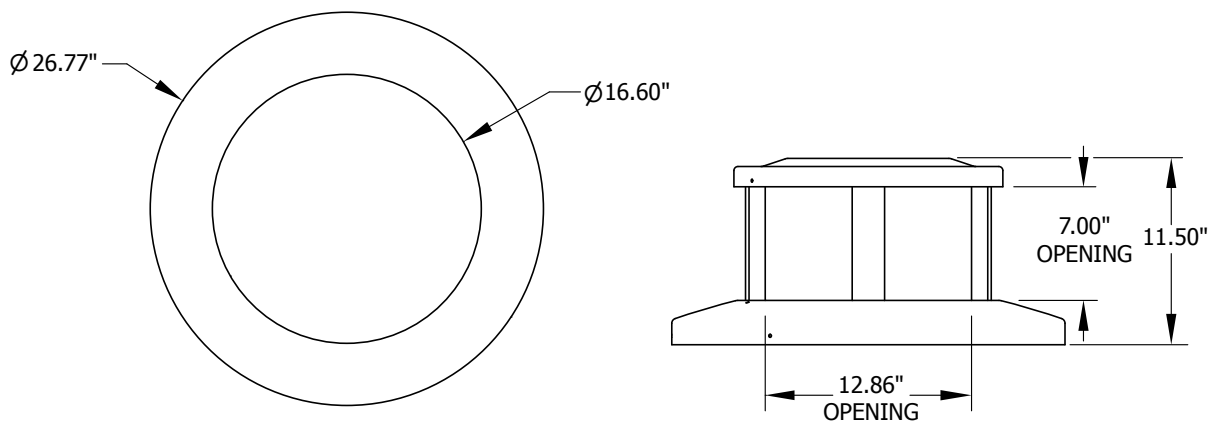
Attaching the bonnet top to the receptacle requires some assembly.

Maintenance

The product is virtually maintenance-free and requires only periodic cleaning with a sponge and a solution of mild detergent and water to remove surface dirt. Do not clean with solvent or petroleum based products.

Warranty

20-year limited structural warranty with 7-year finish warranty against fading; 3-year finish warranty on powder coated steel components against rusting, peeling, chipping, cracking, mold, mildew and defects in materials and/or workmanship. See full details on multi-year warranties for components at <https://www.anovafurnishings.com/warranty>



Shipping Information

Unit Wt.	Unit Shipping Wt. UPS (1 - 5 Units)	Unit Shipping Wt. Truck (6+ Units)	Unit Ship Size w/Pallet	Max Units per Pallet	Pallet Wt. 32" x 48"	Total No. Pkgs	Shipping Class
18 lbs	46 lbs/unit	23 lbs/unit	11 cu. ft.	16	50 lbs	1	100