



211 North Lindbergh Blvd.
 St. Louis, MO 63141
 800.231.1327tel| 314.754.0835 fax
specify@anovafurnishings.com
anovafurnishings.com

F6410 – 10' ADA Rectangular Expanded Steel Table, Portable Frame

10' rectangular expanded steel table, ADA compliant, traditional edge, 3 flat bench seats, portable mount

Material

The table is 120.25" in length and features three flat bench seats and an ADA compliant opening. The table top and seats are 3/4" #9 expanded steel with a diamond shape pattern and feature a traditional edge. Table top and seats are protected by Fusion Advantage™, a plastisol coating with an average of .125" thickness and a high-gloss powder coat. The table top is designed to support 100 lbs per square foot and seats will support 200 lbs per linear foot.

The frames are made of 2.38" O.D. steel tubing protected by a fade resistant powder coat finish featuring a state of the art primer proven to prevent rusting. Frame is portable in design allowing for flexibility in placement.

Finish

Table top and seats are protected by the patented Fusion Advantage™ finish. The plastisol coating has an average thickness of .125" and is encapsulated with a richly tinted, high performance powder coating that won't rust, fade, peel, chip, crack, mold or mildew. The finish has been tested to the requirements of ASTM E1354 and determined to be in compliance with California Uniform Fire Code 1103.2.1.4.2.

Fade-resistant, powder coated steel components feature a state-of-the-art primer proven to prevent rusting. Treated components exceed the industry standard by 34% in testing by independent sources.

Color

See website or sales representative for color choices.

Assembly

Table requires some assembly. Stainless steel assembly hardware is included.

Maintenance

The product is virtually maintenance-free and requires only periodic cleaning with a sponge and a solution of mild detergent and water to remove surface dirt. Do not clean with solvent or petroleum base products.

Warranty

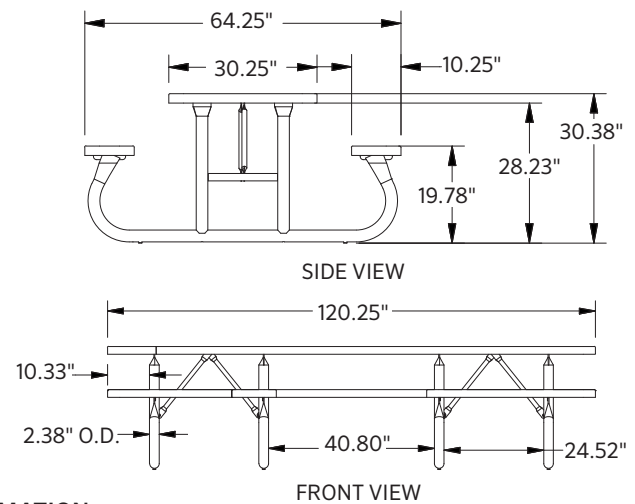
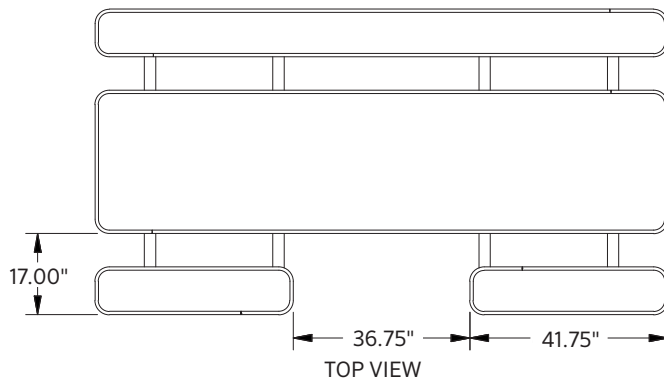
20-year limited structural warranty with 7-year finish warranty from date of purchase. See full details on multi-year warranties for components at www.anovafurnishings.com/warranty.aspx.



Accessories

1-Hole Hold Down Kit - A2375

2-Hole Hold Down Kit - A2376



SHIPPING INFORMATION

Unit Weight	Unit Shipping Wt. UPS (1-4) Units	Unit Shipping Wt. Truck (1+ Units)	Unit Ship Size w/ Pallet	Max Units Per Pallet	Pallet Size/Wt. (32" x 120")	Total No. Pkgs.	Shipping Class
392 lbs.	N/A	410 lbs./unit	36.81 cu. ft.	3	100 lbs.	5	85