

211 North Lindbergh Blvd.
 St. Louis, MO 63141
 800.231.1327 tel. | 314.754.0835 fax
specify@anovafurnishings.com
 anovafurnishings.com

11LPU-NS— Lucaya 11' Octagon Umbrella with Pulley Lift System, Premium Fabric Color, 105" High

11' diameter octagon umbrella with pulley lift system, premium fabric color.

Material

The 11' diameter octagon umbrella canopy is made of Sunbrella® marine-grade acrylic fabric that resists fading and mildew. Canopy includes a single, sewn-in vent and a convenient storage tie.

The canopy is supported by heavy-duty, fiberglass ribs with molded nylon joints, hubs and end tips. Ribs flex in the wind and return to their original shape. Tested to withstand up to 50 mph winds.

The one-piece, 1.5" diameter, aluminum pole is 102" tall and features an easy pulley lift system. Umbrella includes a 3" high finial that screws into the top of the pole securing the canopy between the pole and the finial. Overall height including the finial is 105" tall.

Finish

The canopy is available in premium fabric colors. The umbrella pole is available in aluminum or powder coated finishes.

Color

See website or sales representative for color choices.

Assembly

The umbrella ships fully assembled for immediate use.

Maintenance

Maintenance-free; to clean, simply spray with a power washer.

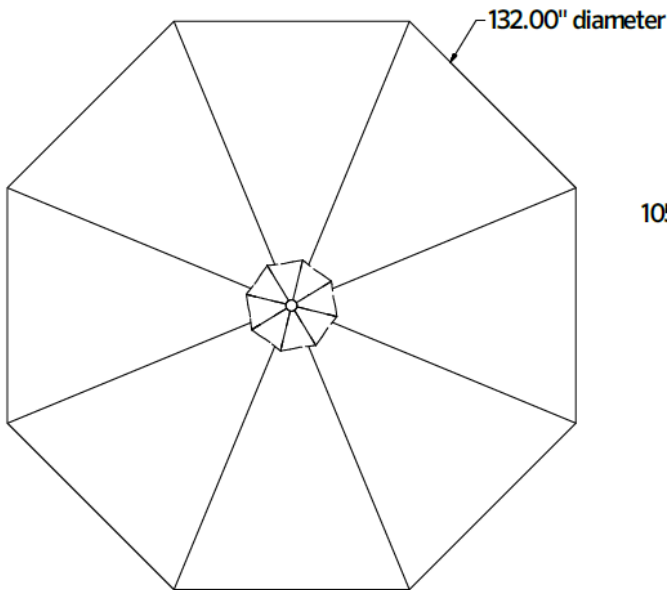
Warranty

10-year fabric warranty with 5-year rib warranty from the date of purchase.

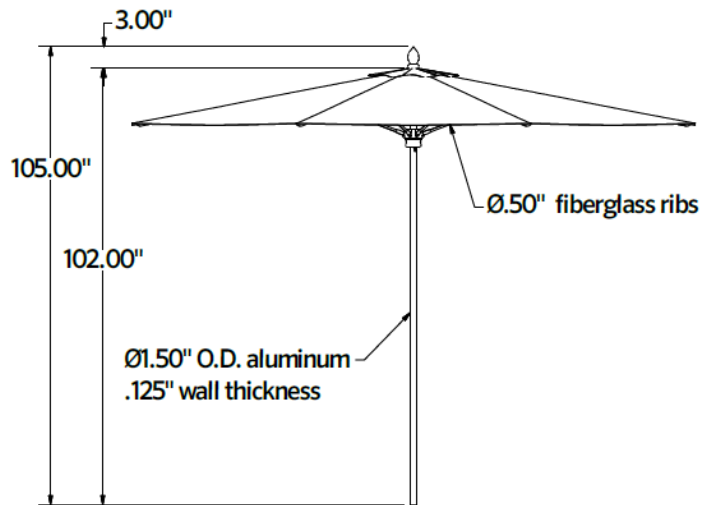


Accessories

Umbrella Table Brace UBRACE



Top View



Front View

SHIPPING INFORMATION

Unit Weight	Unit Shipping Wt. UPS	Unit Shipping Wt. Truck (9 + Units)	Unit Ship Size w/Pallet	Max Units Per Pallet	Pallet Wt.	Total No. Pkgs.	Shipping Class
31 lbs./unit	39 lbs./unit	39 lbs./unit	126 cu. ft.	54	50 lbs.	1	100