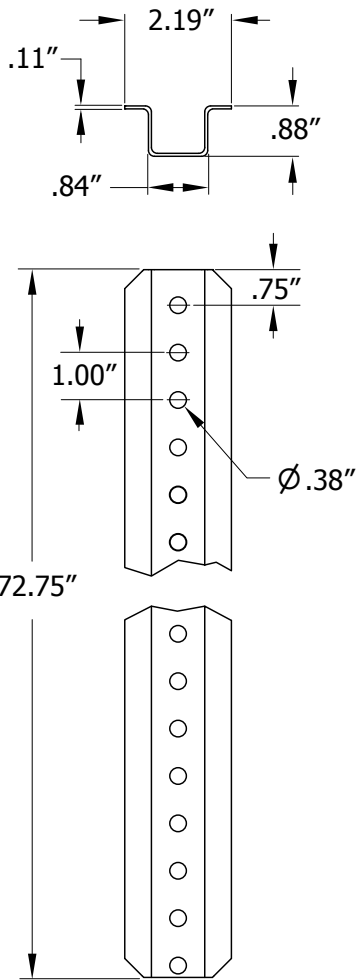




211 North Lindbergh Blvd.
 St. Louis, MO 63141
 888.535.5005 tel
 314.754.0835 fax
 specify@anovafurnishings.com
anovafurnishings.com



Material

The channel post is 72.75" long and is made of steel or galvanized steel. The post features a .38" diameter hole on 1" centers. Tamper resistant nuts and bolts for mounting one sign are included.

The posts are designed to be installed 2' to 2.5' deep.

Color and Finish

The post comes in a choice of green painted steel or galvanized steel.

Maintenance

The product is virtually maintenance-free and requires only periodic cleaning with a sponge and a solution of mild detergent and water to remove surface dirt. Do not clean with solvent or petroleum based products.

Warranty

6CHNPST = 5-year limited structural warranty with 7-year finish warranty against fading from the date of purchase.

6CHNPSTG = 5-year limited structural warranty

6CHNPST
6CHNPSTG
CHANNEL (SIGN) POST
 6' steel or galvanized steel channel post

Shipping Information

Unit Wt.	Unit Shipping Wt. UPS (1+ units)	Unit Shipping Wt. Truck	Unit Ship Size w/Pallet	Max Units per Pallet	Pallet Wt.	Total No. Pkgs	Shipping Class
7 lbs	9 lbs/unit	N/A	1 cu. ft.	N/A	N/A	1	125