

211 North Lindbergh Blvd.  
 St. Louis, MO 63141  
 888.535.5005 tel  
 314.754.0835 fax  
 specify@anovafurnishings.com  
**anovafurnishings.com**



## A2375 HOLD DOWN KIT 2.38" diameter, one-hole stamped steel hold down kit

The following is list of products the Hold Down Kit is Designed to accommodate:

- |                          |                         |
|--------------------------|-------------------------|
| <b>BRP300</b> Bike Rack  | <b>F1063</b> 8' Bench   |
| <b>BRP300E</b> Bike Rack | <b>F1105</b> 9.5' Table |
| <b>BRP302</b> Bike Rack  | <b>F1149</b> 4' Table   |
| <b>BRP302E</b> Bike Rack | <b>F1151</b> 6' Table   |
| <b>C1060</b> 6' Bench    | <b>F1161</b> 8' Table   |
| <b>C1063</b> 8' Bench    | <b>F1170</b> 15' Bench  |
| <b>D1007</b> 8' Table    | <b>F1202</b> 10' Bench  |
| <b>D1060</b> 6' Bench    | <b>F1321</b> 8' Table   |
| <b>D1063</b> 8' Bench    | <b>F1338</b> 6' Bench   |
| <b>D1105</b> 9.5' Table  | <b>F2003</b> 6' Table   |
| <b>D2003</b> 6' Table    | <b>F2008</b> 6' Table   |
| <b>D2005</b> 6' Table    | <b>F2010</b> 8' Table   |
| <b>D2014</b> 8' Table    | <b>F2014</b> 8' Table   |
| <b>D3020</b> 6' Table    | <b>F2173</b> 10' Table  |
| <b>D3023</b> 8' Table    | <b>F3018</b> 6' Bench   |
| <b>D3131</b> 10' Table   | <b>F3020</b> 6' Bench   |
| <b>F1030</b> 4' Bench    | <b>F3023</b> 8' Bench   |
| <b>F1034</b> 6' Bench    | <b>F3026</b> 15' Bench  |
| <b>F1038</b> 8' Table    | <b>F3029</b> 6' Bench   |
| <b>F1050</b> 6' Bench    | <b>F3032</b> 8' Bench   |
| <b>F1053</b> 8' Bench    | <b>F3036</b> 4' Bench   |
| <b>F1060</b> 6' Bench    | <b>F3041</b> 8' Bench   |

### Material

The hold down unit is made of stamped steel and is protected with a high-gloss powder coat finish. The kit consists of two hold downs.

The unit is designed to be installed on portable mount products with 2.38" O.D. tubing, to prevent them from being moved.

### Finish

FusionGuard® primer is applied to all steel components, providing extreme rust fighting protection and durability. Components treated with FusionGuard exceed industry standard by 34% in testing by independent sources.

### Color

This product is available in the following vibrant colors: Black, Blue, Bronze, Brown, Burgundy, Camel, Charcoal, Evergreen, Gray, Navy, Orange, Purple, Red, Sage, Silver, Teal, Vanilla, White, and Yellow.

### Assembly

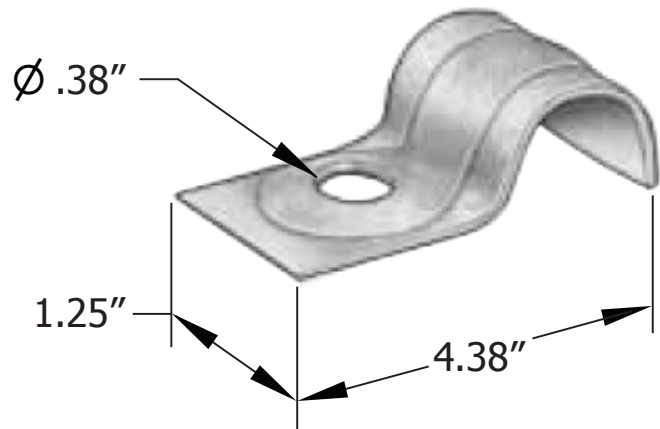
The hold down kit requires no assembly other than the installation procedure. Installation hardware is not included.

### Maintenance

Maintenance-free. To clean, spray with a power washer.

### Warranty

1-year warranty from the date of purchase.



- F3044** 4' Bench
- F3050** 8' Bench
- F3131** 10' Bench
- HD210A6S** 6' Table
- HD210A8S** 8' Table
- RCPG6** 6' Table
- XDA6G** 6' Table
- XDA6GADA** 6' Table
- XDA8G** 8' Table

### Shipping Information

Unit Wt.	Unit Shipping Wt. UPS	Unit Shipping Wt. Truck (1+ Units)	Unit Ship Size	Max Units per Pallet	Pallet Wt.	Total No. Pkgs	Shipping Class
1 lbs	1 lbs/unit	N/A	1 cu. ft.	N/A	N/A	1	Small Parcel