

A2376 HOLD DOWN KIT 2.38" diameter, two-hole stamped steel hold down kit

The following is list of products the Hold Down Kit is Designed to accommodate:

BRP300 Bike Rack	F1063 8' Bench
BRP300E Bike Rack	F1105 9.5' Table
BRP302 Bike Rack	F1149 4' Table
BRP302E Bike Rack	F1151 6' Table
C1060 6' Bench	F1161 8' Table
C1063 8' Bench	F1170 15' Bench
D1007 8' Table	F1202 10' Bench
D1060 6' Bench	F1321 8' Table
D1063 8' Bench	F1338 6' Bench
D1105 9.5' Table	F2003 6' Table
D2003 6' Table	F2008 6' Table
D2005 6' Table	F2010 8' Table
D2014 8' Table	F2014 8' Table
D3020 6' Table	F2173 10' Table
D3023 8' Table	F3018 6' Bench
D3131 10' Table	F3020 6' Bench
F1030 4' Bench	F3023 8' Bench
F1034 6' Bench	F3026 15' Bench
F1038 8' Table	F3029 6' Bench
F1050 6' Bench	F3032 8' Bench
F1053 8' Bench	F3036 4' Bench
F1060 6' Bench	F3041 8' Bench

211 North Lindbergh Blvd.
St. Louis, MO 63141
888.535.5005 tel
314.754.0835 fax
specify@anovafurnishings.com
anovafurnishings.com

Material

The hold down unit is made of stamped steel and is protected with a high-gloss powder coat finish. The kit consists of two hold downs.

The unit is designed to be installed on portable mount products with 2.38" O.D. tubing, to prevent them from being moved.

Finish

FusionGuard® primer is applied to all steel components, providing extreme rust fighting protection and durability. Components treated with FusionGuard exceed industry standard by 34% in testing by independent sources.

Color

This product is available in the following vibrant colors: Black, Blue, Bronze, Brown, Burgundy, Camel, Charcoal, Evergreen, Gray, Navy, Orange, Purple, Red, Sage, Silver, Teal, Vanilla, White, and Yellow.

Assembly

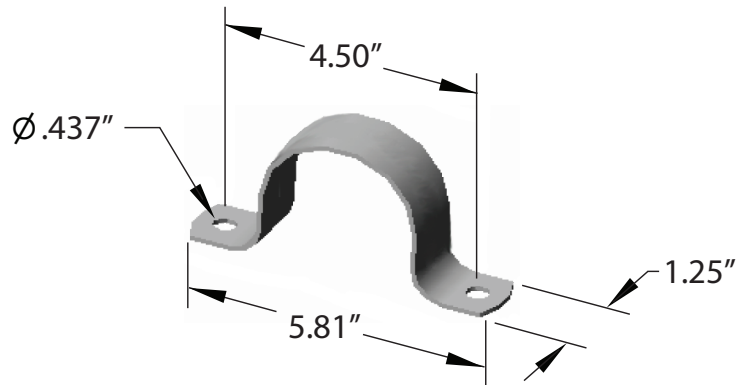
The hold down kit requires no assembly other than the installation procedure. Installation hardware is not included

Maintenance

Maintenance-free. To clean, spray with a power washer.

Warranty

1-year warranty from the date of purchase.



F3044 4' Bench
F3050 8' Bench
F3131 10' Bench
HD210A6S 6' Table
HD210A8S 8' Table
RCPG6 6' Table
XDA6G 6' Table
XDA6GADA 6' Table
XDA8G 8' Table

Shipping Information

Unit Wt.	Unit Shipping Wt. UPS	Unit Shipping Wt. Truck (1+ Units)	Unit Ship Size	Max Units per Pallet	Pallet Wt.	Total No. Pkgs	Shipping Class
1 lbs	1 lbs/unit	N/A	1 cu. ft.	N/A	N/A	1	100