

## ASHPOST34 — Ash Stash Urn Post

Steel tube urn with thick steel base, two openings and inner steel tube liner

### Material

The ash stash post is composed of a .25" thick steel plate base and a 2.38" O.D. steel pipe body. The urn is 34.25" tall with a removable, inner steel pipe liner to allow for easy removal of smoking waste. The outer post features two 1.13" diameter openings for ash disposal. The urn has a sturdy base that is portable for flexibility in placement with pre-drilled holes for surface mounting to prevent movement. Optional surface mount hardware kit is available.

### Finish

The steel post features GatorShield finish which is a three-step steel finishing process that applies an extra-thick layer of zinc, followed by a conversion coating and clear polymer for ultimate corrosion resistance. The unit is then powder coated to provide a bright uniform finish.

### Color

See website or sales representative for color choices.

### Assembly

Ash urn ships fully assembled. Optional surface mount hardware kit is available.

### Maintenance

The product is virtually maintenance-free and requires only periodic cleaning with a sponge and a solution of mild detergent and water to remove surface dirt. Do not clean with solvent or petroleum base products.

### Warranty

20-year limited structural warranty with 7-year finish warranty against fading from the date of purchase. See full details on multi-year warranties for components at [www.anovafurnishings.com/warranty.aspx](http://www.anovafurnishings.com/warranty.aspx).



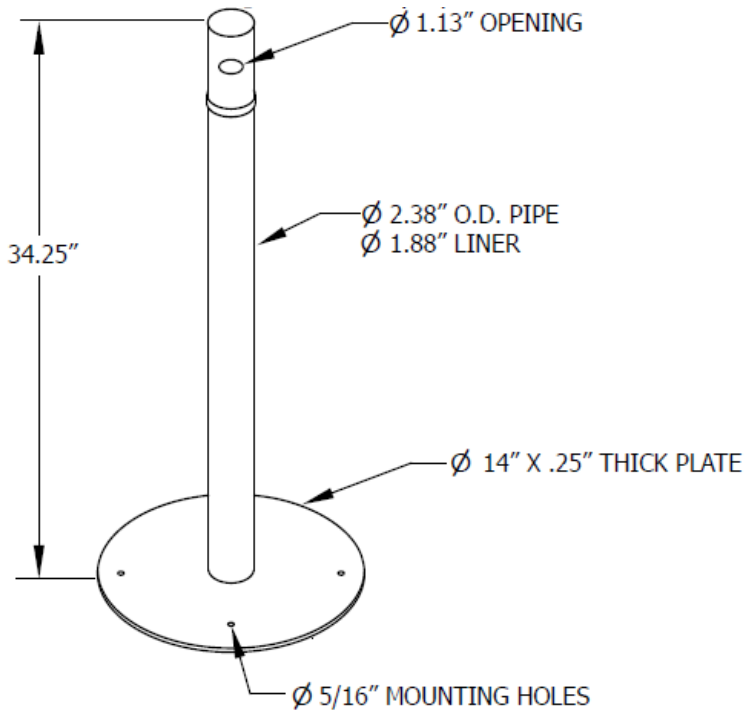
### Accessories

Hold Down Kit

ASHPOST34HLD

A1001

Skateboard



### SHIPPING INFORMATION

Unit Weight	Unit Shipping Wt. UPS (1-3 Units)	Unit Shipping Wt. Truck (4+ Units)	Unit Ship Size w/Pallet	Max Units Per Pallet	Pallet Wt.	Total No. Pkgs.	Shipping Class
26 lbs.	54 lbs./unit	35 lbs./unit	6 cu. ft.	N/A	50 lbs.	1	125