



211 North Lindbergh Blvd.
 St. Louis, MO 63141
 800.231.1327 tel. | 314.754.0835 fax
specify@anovafurnishings.com
 anovafurnishings.com

BH1894R — Beacon Hill Recycled Plastic 4' Flat Bench

4' flat bench with recycled plastic and aluminum planks and cast iron armrests and legs



Material

The 4' flat bench is composed of 1" x 3.5" (1" x 4" nominal dimensions) and 1" x 2" recycled plastic seat planks, aluminum accent planks, cast iron armrests and legs and steel under supports. The bench is 53.43" long and will support 200 lbs per linear foot.

The bench is designed to be portable for flexibility in placement or surface mounted using predrilled .5" diameter holes in feet to prevent movement. Mounting hardware is not included.

The planks are made of 95% recycled content by weight and are impervious to moisture and corrosion, do not require the application of sealants or preservatives, and will never need painting or staining throughout the product's life.

Finish

Fade-resistant, powder coated steel, aluminum and cast iron components feature a state-of-the-art primer proven to prevent rusting. Treated components exceed the industry standard by 34% in testing by independent sources.

Color

See website or sales representative for color choices.

Assembly

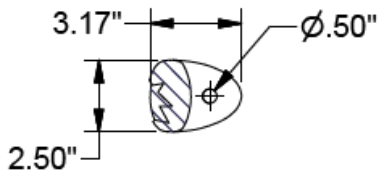
The bench ships fully assembled and ready for use. Assembly includes stainless steel hardware.

Maintenance

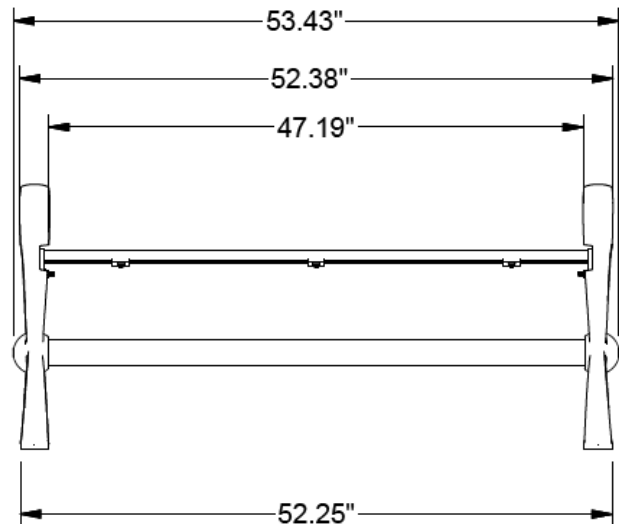
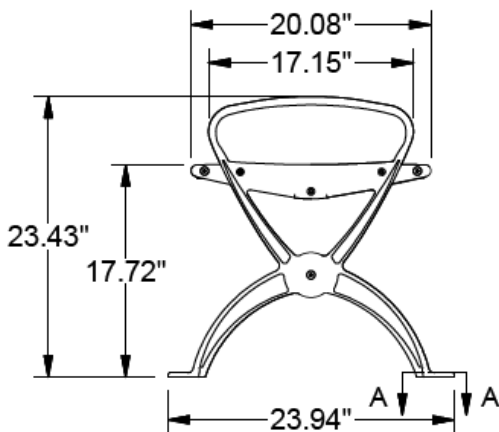
The product is virtually maintenance-free and requires only periodic cleaning with a sponge and a solution of mild detergent and water to remove surface dirt. Do not clean with solvent or petroleum base products.

Warranty

20-year limited structural warranty on recycled plastic from the date of purchase. See full details on multi-year warranties for components at www.anovafurnishings.com/warranty.aspx.



SECTION A-A
 4X FOOT MOUNT



SHIPPING INFORMATION

Unit Weight	Unit Shipping Wt. UPS	Unit Shipping Wt. Truck (1+ Units)	Unit Ship Size w/Pallet	Max Units Per Pallet	Pallet Size/Wt. (48" x 58")	Total No. Pkgs.	Shipping Class
134 lbs.	N/A	138 lbs./unit	62 cu. ft.	1	50 lbs.	1	250