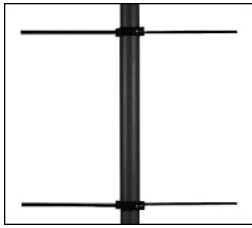


# BRKTLGDBL Large Double Bracket for Two Banners

specification sheet



**Description**  
Large Double Pole Banner mounting bracket set.

**Technical Data**  
Finished with a polyester powder coat.

**Assembly & Installation**  
Brackets need to be mounted to the pole using nuts and bolts provided.

**Availability**  
Ships in 5 business days for quantities of 200 or less.

**Warranty**  
5-year warranty from shipping date.

**Maintenance**  
Maintenance-free. Won't corrode, crack, splinter, rot or rust.

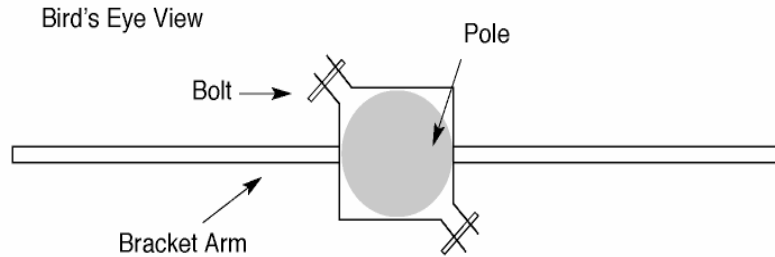
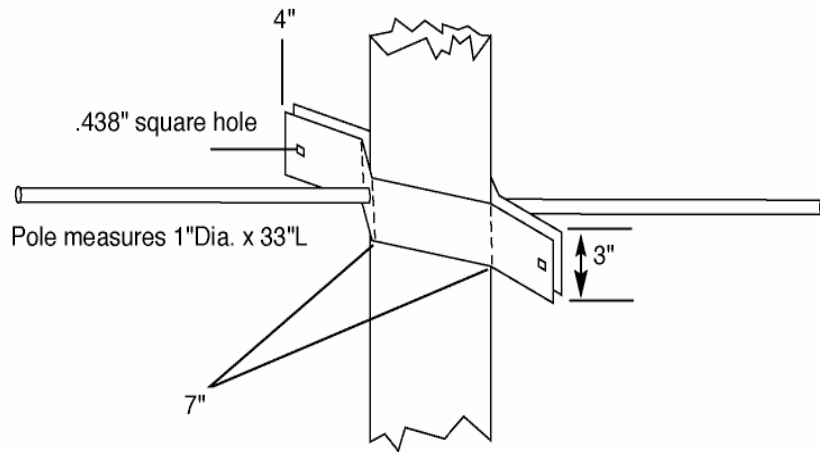
**Technical Services**  
Finished with a durable polyester powder coat.

**Options**  
Black

**Included Items**  
4 bracket arms and all hardware required for installation.

**Related Information**  
Made to hold two banners.

**Typical Specification**  
Product shall be made of 16-gauge 1" round steel tubing welded to 3/16" 7-gauge hot rolled pickled and oiled steel. Painted with a polyester finish for outdoor weatherability



Model	Description	Width	Unit Wt.	Ship. Wt.	Cubic Feet	Box Size (H x Sq.)	Shipping Class
BRKTLGDBL	Large Double Bracket	33"	21 lbs	70 lbs	5	3.5" X 22.5" X 53"	70

Measurements are nominal.  
Created 8/15/05. Last modified 1/23/08.

4356 Duncan Ave • St. Louis, MO 63110 • 800-231-1327 • 314-652-8622 • Fax 314-652-3788

