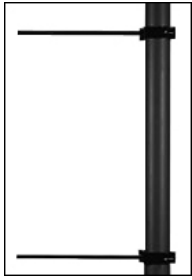


BRKTMSNG

Medium Single Bracket for One Banner

specification sheet



Description
Medium-sized single pole banner mounting bracket set.

Technical Data
Finished with a polyester powder coat.

Assembly & Installation
Brackets need to be mounted to the pole using the nuts and bolts provided.

Availability & Cost
Ships in 5 business days for quantities of 200 or less.

Warranty
5-year warranty from shipping date.

Maintenance
Maintenance-free. Won't corrode, crack, splinter, rot or rust.

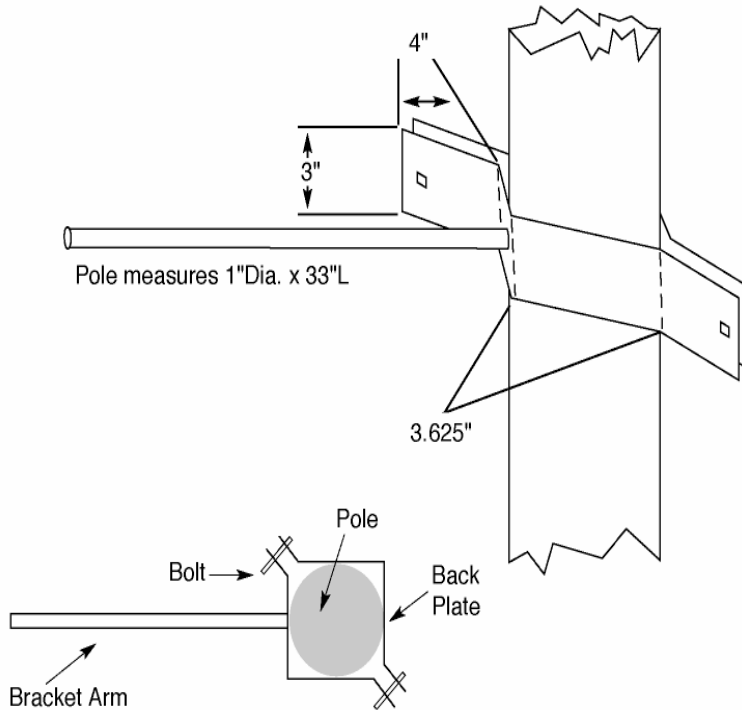
Technical Services
Finished with a durable polyester powder coat.

Options
Black

Included Items
2 bracket arms and all the hardware required for installation.

Related Information
Made to hold one banner.

Typical Specification
Product shall be made of 16-gauge 1" round steel tubing welded to 3/16" 7-gauge hot rolled pickled and oiled steel. Painted with a polyester finish for outdoor weatherability



Model	Description	Width	Unit Wt.	Ship. Wt.	Cubic Feet	Box Size (H x Sq.)	Shipping Class
BRKTMSNG	Medium Single Bracket	33"	14 lbs	30 lbs	2	3.25" X 21.5" X 53"	70

Measurements are nominal.
Created 8/15/05. Last modified 1/23/08.

4356 Duncan Ave • St. Louis, MO 63110 • 800-231-1327 • 314-652-8622 • Fax 314-652-3788

