

211 North Lindbergh Blvd.  
 St. Louis, MO 63141  
 800.231.1327 tel. | 314.754.0835 fax  
[specify@anovafurnishings.com](mailto:specify@anovafurnishings.com)  
[anovafurnishings.com](http://anovafurnishings.com)

**CRNCBEN6— Structure 6' Contour Crescent Bench, Diagonal Style Seat**

6' contour bench with slotted steel diagonal style seat and natural stone end panels

**Material**

The 6' contour bench is composed of a 12-gauge slotted steel seat with a .44" gap slotted diagonal style pattern. The bench seat is 76" long and will support 200 lbs. per linear foot.

Bench ends are constructed of natural stone cast in rebar-reinforced polymer matrix concrete and designed to be portable for flexibility in placement. An optional hold down kit is available.

**Finish**

Diagonal style slotted seat is protected by the patented Fusion Advantage™ finish. The plastisol coating has an average thickness of .125" and is encapsulated with a richly tinted, high performance powder coating that won't rust, fade, peel, chip, crack, mold or mildew. The finish has been tested to the requirements of ASTM E1354 and determined to be in compliance with California Uniform Fire Code 1103.2.1.4.2.

Stone bench ends are cast in a durable epoxy resin that remains clear and bright throughout its life.

**Color**

See website or sales representative for color choices.

**Assembly**

The bench requires some assembly. Stainless steel assembly hardware is included.

**Maintenance**

The product is virtually maintenance-free and requires only periodic cleaning with a sponge and a solution of mild detergent and water to remove surface dirt. Do not clean with solvent or petroleum base products.

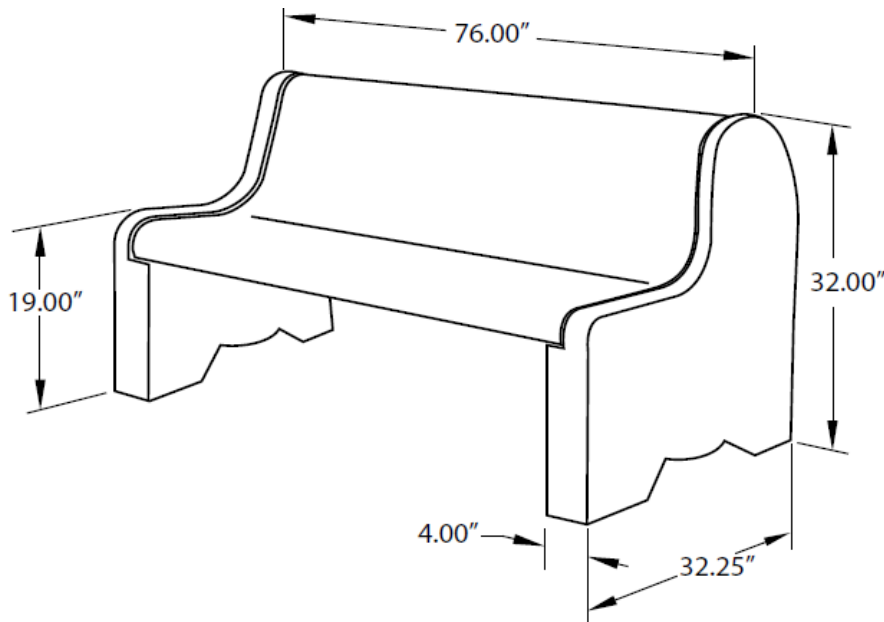
**Warranty**

5-year limited structural warranty from the date of purchase. See full details on multi-year warranties for components at [www.anovafurnishings.com/warranty.aspx](http://www.anovafurnishings.com/warranty.aspx).



Accessories  
 Hold Down Kit

PCSHLD



**SHIPPING INFORMATION**

Unit Weight	Unit Shipping Wt. UPS	Unit Shipping Wt. Truck (1+ Units)	Unit Ship Size w/Pallet	Max Units Per Pallet	Pallet Size/Wt. (36" X 36")	Total No. Pkgs.	Shipping Class
406 lbs.	N/A	447 lbs./unit	30 cu. ft.	4	29 lbs.	2	70

4/14/2017

Copyright 2017 ANOVA®

Made in USA.