



211 North Lindbergh Blvd.  
 St. Louis, MO 63141  
 888.535.5005 tel  
 314.754.0835 fax  
[specify@anovafurnishings.com](mailto:specify@anovafurnishings.com)  
[anovafurnishings.com](http://anovafurnishings.com)



**E30AG**  
**ESSENCE RECEPTACLE**  
 30-gallon bonded aggregate panel  
 receptacle with rain bonnet and  
 plastic liner

**Replacement Parts**

Black Plastic Liner **R-E30PLR**

**Accessories**

Hold Down Kit **PANELHLD**

**Material**

The 30-gallon receptacle is composed of .5" thick aggregate and epoxy bonded to a hardboard substrate and supported by a non-rusting aluminum frame. The receptacle includes rubber feet and a bonnet top made of an aluminum frame and polyethylene panel. The bonnet top lifts off for easy trash disposal.

The reusable plastic liner is made of black high-density polyethylene.

The receptacle is designed to be portable, allowing for flexibility in placement.

**Finish**

The aggregate is cast in a durable epoxy resin that remains clear and bright throughout its life.

**Color**

See website or sales representative for color choices.

**Assembly**

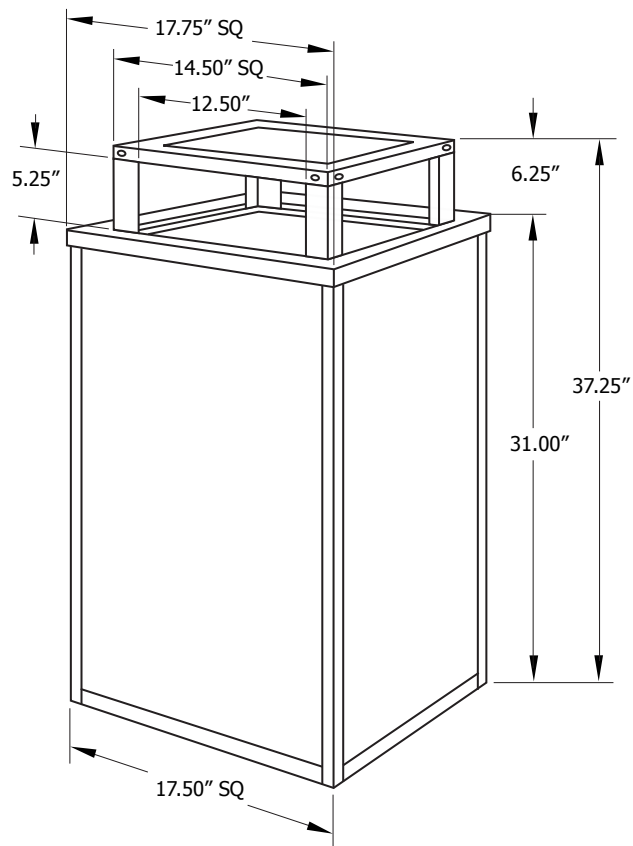
The receptacle arrives fully assembled for immediate use on site.

**Maintenance**

Maintenance-free. To clean, spray with a power washer.

**Warranty**

5-year limited structural warranty from the date of purchase. See full details on multi-year warranties for components at [www.anovafurnishings.com/warranty.aspx](http://www.anovafurnishings.com/warranty.aspx).



**Shipping Information**

Unit Wt.	Unit Shipping Wt. UPS	Unit Shipping Wt. Truck (1+ Units)	Unit Ship Size w/Pallet	Max Units per Pallet	Pallet Wt.	Total No. Pkgs	Shipping Class
103 lbs	N/A	110 lbs/unit	9 cu. ft.	N/A	N/A	1	125