

211 North Lindbergh Blvd.
 St. Louis, MO 63141
 888.535.5005 tel
 314.754.0835 fax
 specify@anovafurnishings.com
 anovafurnishings.com



Material

The liner is designed to fit Fusion 32-gallon round trash receptacles. The liner is made of high density polyethylene.

Finish

The high density polyethylene is a flexible and durable material that won't corrode, splinter, rot, or fade.

Color

The liner is available only in black.

Assembly

The liner requires no assembly and must be placed inside an appropriate receptacle.

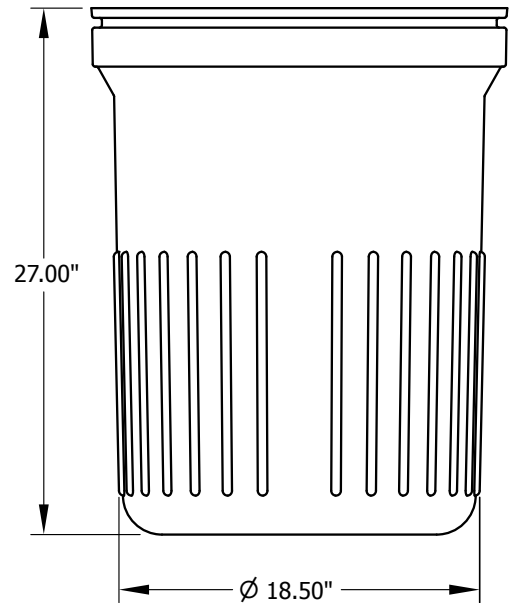
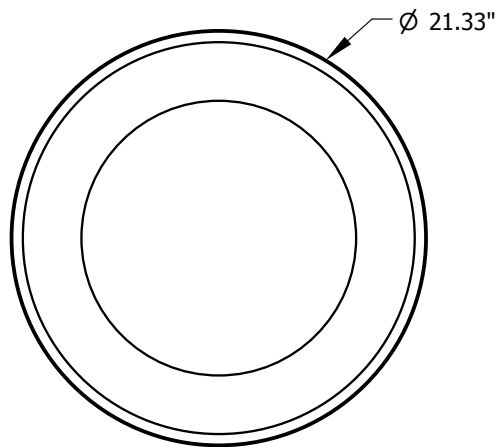
Maintenance

The product is virtually maintenance-free and requires only periodic cleaning with a sponge and a solution of mild detergent and water to remove surface dirt. Do not clean with solvent or petroleum based products.

Warranty

1-year warranty from the date of purchase.

**F1017
 PLASTIC LINER
 black high density polyethylene
 32-gallon receptacle liner**



Shipping Information

Unit Wt.	Unit Shipping Wt. UPS (1-3 units)	Unit Shipping Wt. Truck (3+ units)	Unit Ship Size w/Pallet	Max Units per Pallet	Pallet Wt. (48" x 32")	Total No. Pkgs	Shipping Class
5 lbs	100 lbs/unit	15 lbs/unit	26 cu. ft.	24	50 lbs	1	100