

F1023
RECEPTACLE FLAT TOP
 32-gallon receptacle expanded
 steel flat top

211 North Lindbergh Blvd.

St. Louis, MO 63141

888.535.5005 tel

314.754.0835 fax

specify@anovafurnishings.com

anovafurnishings.com

Material

The 32-gallon receptacle top is made of 14-gauge steel with a decorative expanded metal skirt and features an 8.00" diameter center opening for easy trash disposal. The top is protected by Fusion Advantage™, a plastisol coating with an average .125" thickness and a high-gloss powder coat. The top is designed to fit all ANOVA™ 32-gallon receptacles.

Finish

Fusion Advantage is a heat fused plastisol coating that creates an impervious rustproof barrier and resists UV deterioration, mildew, staining and fading.

The finish has been tested to the requirements of ASTM E1354 and is determined to be in compliance with California Uniform Fire Code 1103.2.1.4.2.

Color

See website or sales representative for color choices.

Assembly

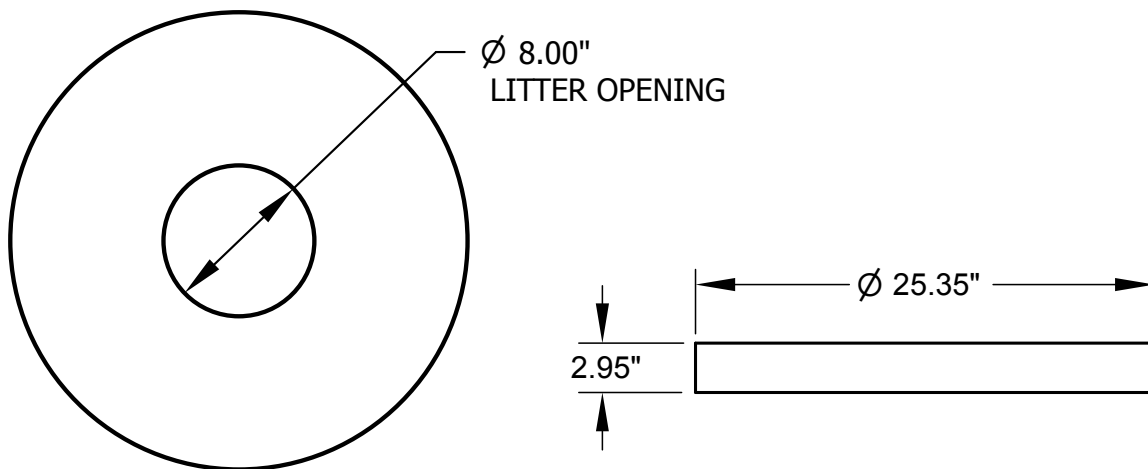
Attachment of the top to the receptacle body requires some assembly.

Maintenance

The product is virtually maintenance-free and requires only periodic cleaning with a sponge and a solution of mild detergent and water to remove surface dirt. Do not clean with solvent or petroleum based products.

Warranty

20-year limited structural warranty with 7-year finish warranty from the date of purchase. See full details on multi-year warranties for components at www.anovafurnishings.com/warranty.aspx.



Shipping Information

Unit Wt.	Unit Shipping Wt. UPS (1-13 Units)	Unit Shipping Wt. Truck (14+ Units)	Unit Ship Size w/Pallet	Max Units per Pallet	Pallet Wt. (48"x 32")	Total No. Pkgs	Shipping Class
21 lbs	23 lbs/unit	23 lbs/unit	8 cu. ft.	32	50 lbs	1	100