



211 North Lindbergh Blvd.  
 St. Louis, MO 63141  
 888.535.5005 tel  
 314.754.0835 fax  
[specify@anovafurnishings.com](mailto:specify@anovafurnishings.com)  
**anovafurnishings.com**



**GP48AG**  
**ESSENCE RECEPTACLE**  
 48-gallon heavy-duty bonded  
 aggregate panel receptacle with  
 bonnet top and plastic liner

**Material**

The heavy-duty 48-gallon receptacle is composed of .5" thick aggregate and epoxy bonded to a 20-gauge galvanized steel substrate and supported by a non-rusting aluminum frame. The heavy-duty substrate provides superior strength and weatherability. The receptacle includes rubber feet and a rain bonnet top made of an aluminum frame and vinly panel. The bonnet top lifts off for easy trash disposal.

The reusable plastic liner is made of black high-density polyethylene.

The receptacle is designed to be portable, allowing for flexibility in placement.

**Finish**

The aggregate is cast in a durable epoxy resin that remains clear and bright throughout its life.

**Color**

See website or sales representative for color choices.

**Assembly**

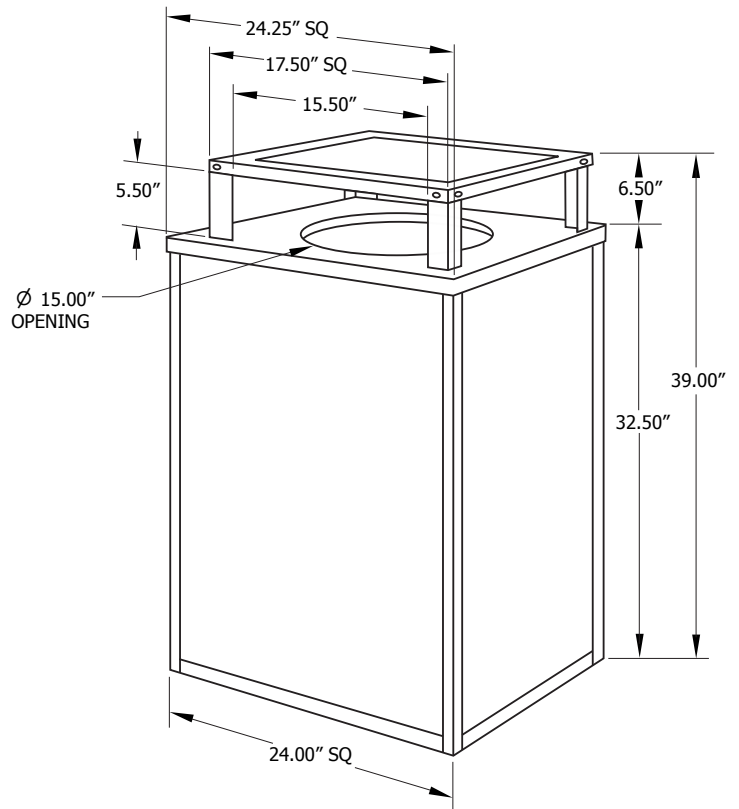
The receptacle arrives fully assembled for immediate use on site.

**Maintenance**

Maintenance-free. To clean, spray with a power washer.

**Warranty**

5-year limited structural warranty from the date of purchase. See full details on multi-year warranties for components at [www.anovafurnishings.com/warranty.aspx](http://www.anovafurnishings.com/warranty.aspx).



**Replacement Parts**  
 Black Plastic Liner **R-P48PLR**

**Accessories**  
 Hold Down Kit **PANELHLD**

**Shipping Information**

Unit Wt.	Unit Shipping Wt. UPS	Unit Shipping Wt. Truck (1+ Units)	Unit Ship Size w/Pallet	Max Units per Pallet	Pallet Wt.	Total No. Pkgs	Shipping Class
191 lbs	N/A	207 lbs/unit	17 cu. ft.	N/A	N/A	1	125