

211 North Lindbergh Blvd.  
 St. Louis, MO 63141  
 888.535.5005 tel  
 314.754.0835 fax  
[specify@anovafurnishings.com](mailto:specify@anovafurnishings.com)  
[anovafurnishings.com](http://anovafurnishings.com)



**Material**

The bench seat is 6' long and made of 12-gauge slotted steel with a .44" gap slotted pattern. The seat is protected by Fusion Advantage™, a plastisol coating with an average .125" thickness and a high-gloss powder coat. The bench seat will support 200 lbs per linear foot.

The bench end panels are cast aggregate and feature plastic armrests and optional decorative cast iron inserts. They are designed to be portable, allowing for flexibility in placement.

**Finish**

Fusion Advantage is a heat fused plastisol coating that creates an impervious rustproof barrier and resists UV deterioration, mildew, staining and fading.

The finish has been tested to the requirements of ASTM E1354 and is determined to be in compliance with California Uniform Fire Code 1103.2.1.4.2.

The aggregate is cast in a durable epoxy resin that remains clear and bright throughout its life.

**Color**

See website or sales representative for color choices.

**KTSSCBEN6  
 BALANCE CONTOUR BENCH**  
 contour slotted steel bench with  
 cast aggregate end panels, plastic  
 armrests, and cast iron inserts

**Assembly**

The benches require some assembly.

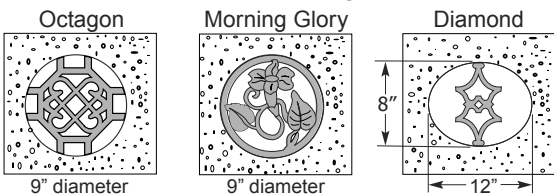
**Maintenance**

Maintenance-free. To clean, spray with a power washer.

**Warranty**

5-year limited structural warranty from the date of purchase. See full details on multi-year warranties for components at [www.anovafurnishings.com/warranty.aspx](http://www.anovafurnishings.com/warranty.aspx).

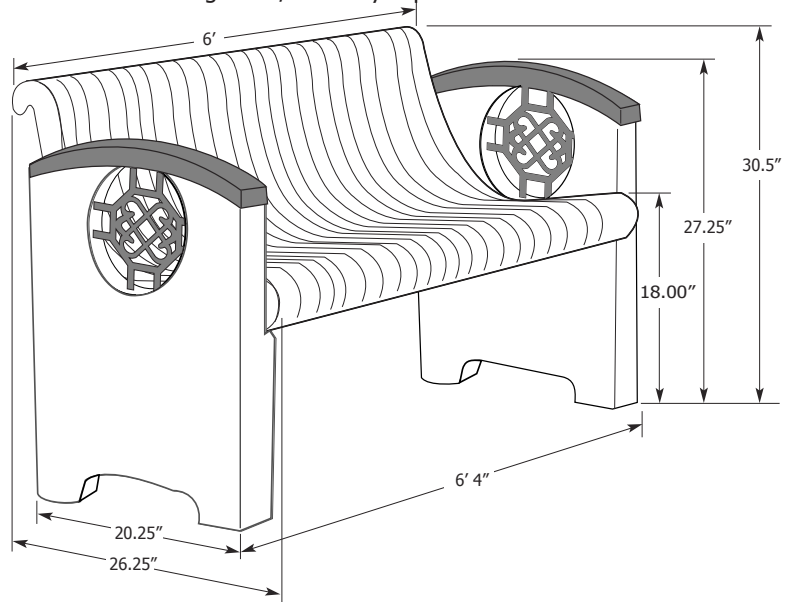
**Cast Iron Insert Options**



**Accessories**

Hold Down Kit

PCSHLD



**Shipping Information**

Unit Wt.	Unit Shipping Wt. UPS	Unit Shipping Wt. Truck (1+ Units)	Unit Ship Size w/Pallet	Max Units per Pallet	Pallet Wt. (36" x 36")	Total No. Pkgs	Shipping Class
268 lbs	N/A	290 lbs/unit	24 cu. ft.	1	29 lbs	2	70