



**L1378RT — Rendezvous 32 Gallon Recycler with Recycler Top**

**32-gallon steel slat recycler with recycler top, plastic liner and rubber feet**

**Material**

The 32-gallon recycler is 32.65" tall and is composed of 12-gauge slotted steel with a .75" gap vertical slotted pattern. The recycler top is made of 18-gauge spun steel with a 5.05" diameter center top opening and choice of "Trash", "Paper" or "Bottles/Cans" decal with recycle logo or with no decal. Specify black or white lettering. Decals will be factory-applied and must be specified at the time of order. The top includes a 14" security strap and lifts off for easy trash removal.

The receptacle is designed to be portable for flexibility in placement or surface mounted using predrilled .38" diameter holes inside the base to prevent movement; optional corkscrew anchor also available. The rubber feet are adjustable to assist in leveling the receptacle. The reusable plastic liner is made of high-density polyethylene.

**Finish**

Steel slats are protected by the patented Fusion Advantage™ finish. The plastisol coating has an average thickness of .125" and is encapsulated with a richly tinted, high performance powder coating that won't rust, fade, peel, chip, crack, mold or mildew. The finish has been tested to the requirements of ASTM E1354 and determined to be in compliance with California Uniform Fire Code 1103.2.1.4.2.

Fade-resistant, powder coated steel top features a state-of-the-art primer proven to prevent rusting. Treated components exceed the industry standard by 34% in testing by independent sources.

**Color**

See website or sales representative for color choices.

**Assembly**

The receptacle ships fully assembled and ready for use. Using an optional corkscrew anchor may require some assembly.

**Maintenance**

The product is virtually maintenance-free and requires only periodic cleaning with a sponge and a solution of mild detergent and water to remove surface dirt. Do not clean with solvent or petroleum base products.

**Warranty**

20-year limited structural warranty with 7-year finish warranty from the date of purchase. See full details on multi-year warranties for components at [www.anovafurnishings.com/warranty.aspx](http://www.anovafurnishings.com/warranty.aspx).

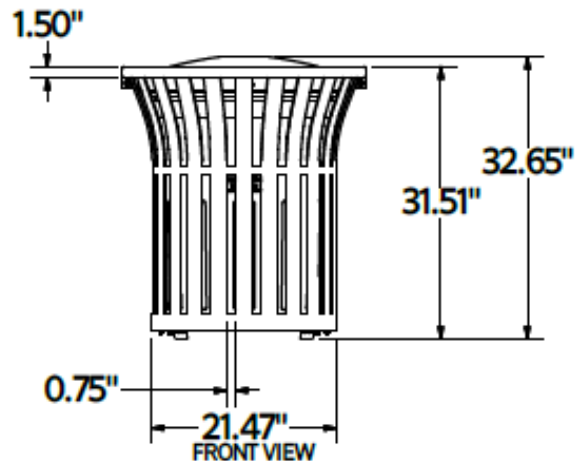
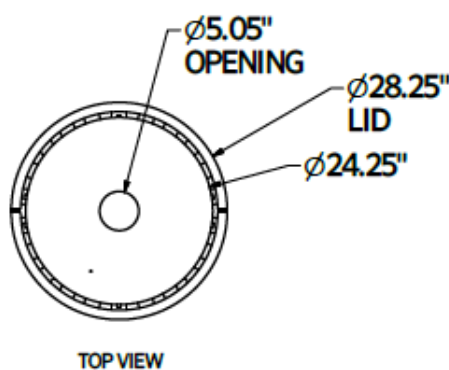
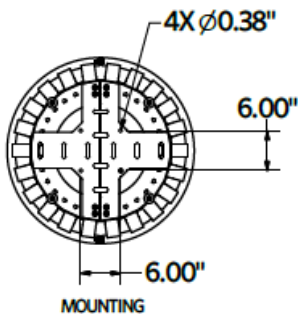


**Replacement Parts**

Black Plastic Liner F1017

**Accessories**

Corkscrew Anchor A1020



**SHIPPING INFORMATION**

Unit Weight	Unit Shipping Wt. UPS	Unit Shipping Wt. Truck (1+ Units)	Unit Ship Size w/Pallet	Max Units Per Pallet	Pallet Size/Wt. 48" x 32"	Total No. Pkgs.	Shipping Class
89 lbs.	N/A	102 lbs./unit	33 cu. ft.	3	50 lbs.	2	100