

211 North Lindbergh Blvd.
 St. Louis, MO 63141
 800.231.1327 tel. | 314.754.0835 fax
specify@anovafurnishings.com
 anovafurnishings.com

LEX70 — Exposition Double Receptacle/Recycler with Side Doors

70-gallon steel slat receptacle with two side doors, bonnet top, two plastic liners, rubber feet and optional decals (when specified)

Material

The receptacle is 46.55" tall and is composed of heavy-duty .25" thick steel front and back panels and 12-gauge steel side panels with a .75" gap horizontal slotted pattern. Features two separate sections, each with a side door that opens on a continuous geared hinge and features a hidden gate lock that allows the door to be latched or locked for tamper resistance. The receptacle features a built-in bonnet top with a 10.28" tall by 27.62" wide side opening and a 38.50" wide front opening.

Optional decals are available: "Bottles/Cans" with recycling logo, "Mixed Recycling" with recycling logo, "Paper" with recycling logo or "Trash" decal—custom decals also available. Specify black or white lettering. Select two sets of decals per container for a total of four: each set will be placed on a front panel and adjacent door. Decals will be factory installed and must be specified at the time of order.

The receptacle is designed to be portable for flexibility in placement or surface mounted using pre-drilled holes inside base to prevent movement. The rubber feet are adjustable to assist in leveling the receptacle. The reusable plastic liners are made of high-density polyethylene. Mounting hardware is not included.

Finish

Fade-resistant, powder coated steel is protected by a state-of-the-art primer proven to prevent rusting. Treated components exceed the industry standard by 34% in testing by independent sources.

Color

See website or sales representative for color choices.

Assembly

The receptacle ships fully assembled and ready for use.

Maintenance

The product is virtually maintenance-free and requires only periodic cleaning with a sponge and a mild detergent and water solution to remove surface dirt. Do not clean with solvent or petroleum base products.

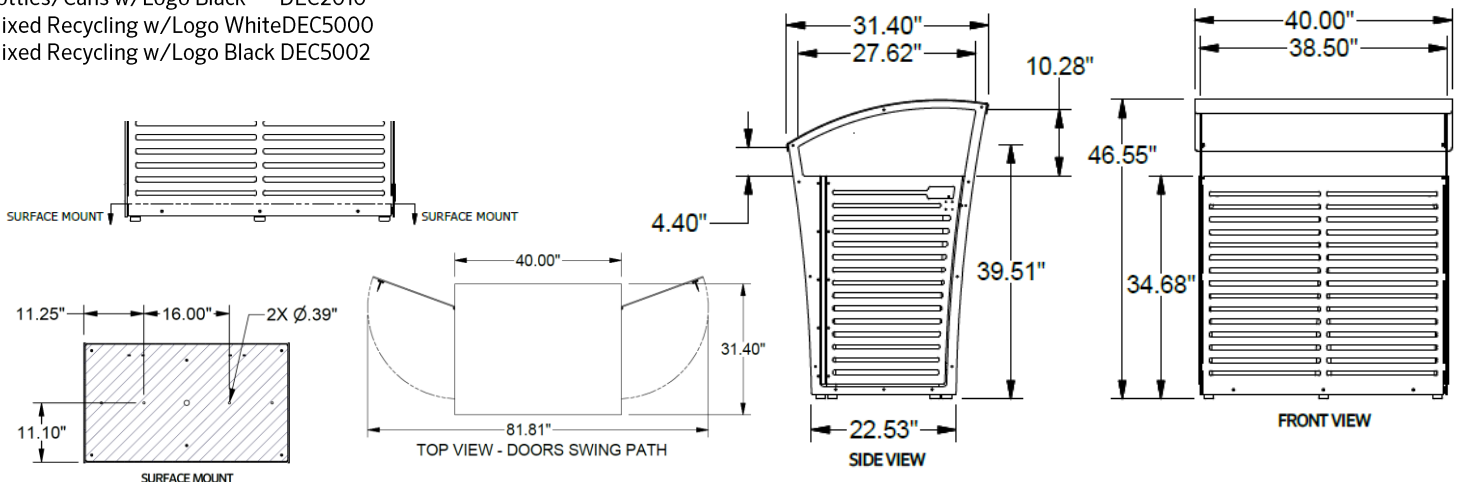
Warranty

20-year limited structural warranty with 7-year finish warranty against fading from the date of purchase. See full details on multi-year warranties for components at www.anovafurnishings.com/warranty.aspx.



Replacement Parts

- Black Plastic Liner (two) R-DOM2005
- Trash Decal White DEC2000
- Trash Decal Black DEC2002
- Paper Decal w/Logo White DEC2004
- Paper Decal w/Logo Black DEC2006
- Bottles/Cans w/Logo White DEC2008
- Bottles/Cans w/Logo Black DEC2010
- Mixed Recycling w/Logo White DEC5000
- Mixed Recycling w/Logo Black DEC5002



SHIPPING INFORMATION

Unit Weight	Unit Shipping Wt. UPS	Unit Shipping Wt. Truck (1+ Units)	Unit Ship Size w/Pallet	Max Units Per Pallet	Pallet Size/Wt. (32" x 48")	Total No. Pkgs.	Shipping Class
286 lbs.	N/A	299 lbs./unit	46 cu. ft.	1	50 lbs.	1	100