



211 North Lindbergh Blvd.
 St. Louis, MO 63141
 888.535.5005 tel
 314.754.0835 fax
specify@anovafurnishings.com
anovafurnishings.com



Material

The sign is 10.5" square and is made of .125" thick styrene with "No Pets" text and graphic. Printshield, a clear laminate, is applied over the image. Two .38" diameter mounting holes are optional. Mounting hardware is not included.

Finish

The styrene graphics panel is composed of an image printed on vinyl with UV resistant inks, then laminated to the styrene panel. Printshield, a clear laminate, provides extra protection to the graphic image from weather, abrasion, and cleaning.

Color

The sign features Black text, and a Black and Red graphic image on a White background.

Maintenance

The product is virtually maintenance-free and requires only periodic cleaning with a sponge and a solution of mild detergent and water to remove surface dirt. Do not clean with solvent or petroleum based products.

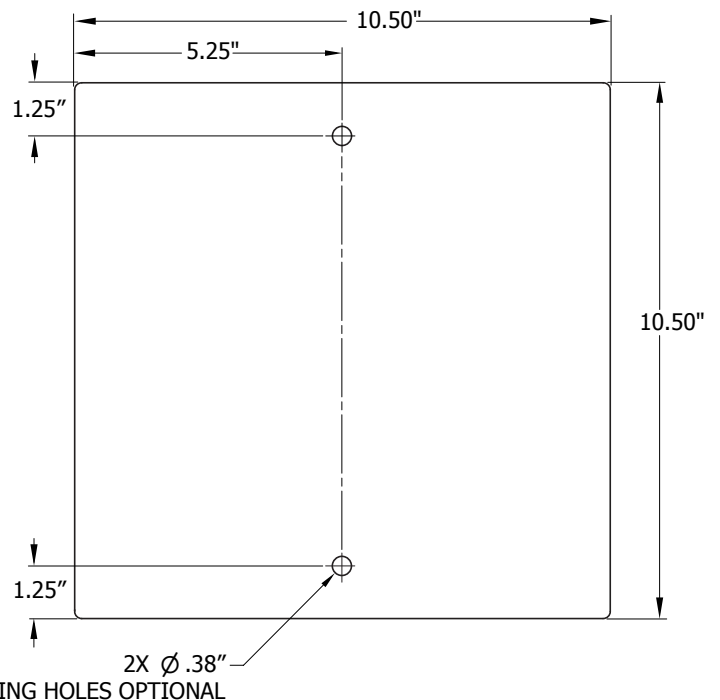
Warranty

3-year warranty from the date of purchase. See full details on multi-year warranties for components at www.anovafurnishings.com/warranty.aspx.

MS1400
HEAVY-DUTY STYRENE SIGN
 10.5" x 10.5" .125" thick styrene sign,
 no pets

Accessories

- 6' Channel Post **6CHNPST**
- 6' Galvanized Channel Post **6CHNPSTG**
- 8' Channel Post **8CHNPST**
- 8' Galvanized Channel Post **8CHNPSTG**



Shipping Information

Unit Wt.	Unit Shipping Wt. UPS (1+ units)	Unit Shipping Wt. Truck	Unit Ship Size w/Pallet	Max Units per Pallet	Pallet Wt.	Total No. Pkgs	Shipping Class
1 lbs	2 lbs/unit	N/A	1 cu. ft.	N/A	N/A	1	100