



211 North Lindbergh Blvd.  
 St. Louis, MO 63141  
 888.535.5005 tel  
 314.754.0835 fax  
[specify@anovafurnishings.com](mailto:specify@anovafurnishings.com)  
**anovafurnishings.com**



**Material**

The sign is 10.5" square and is made of .125" thick styrene with "Authorized Personnel Only" text. Printshield, a clear laminate, is applied over the image. Two .38" diameter mounting holes are optional. Mounting hardware is not included.

**Finish**

The styrene graphics panel is composed of an image printed on vinyl with UV resistant inks, then laminated to the styrene panel. Printshield, a clear laminate, provides extra protection to the graphic image from weather, abrasion, and cleaning.

**Color**

The sign features Red text and border on a White background.

**Maintenance**

The product is virtually maintenance-free and requires only periodic cleaning with a sponge and a solution of mild detergent and water to remove surface dirt. Do not clean with solvent or petroleum based products.

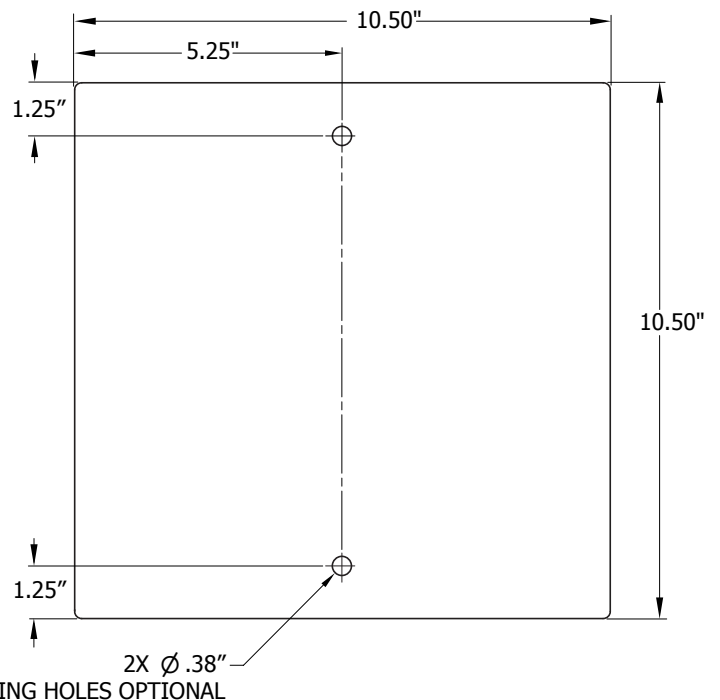
**Warranty**

3-year warranty from the date of purchase. See full details on multi-year warranties for components at [www.anovafurnishings.com/warranty.aspx](http://www.anovafurnishings.com/warranty.aspx).

**MS1403**  
**HEAVY-DUTY STYRENE SIGN**  
 10.5" x 10.5" .125" thick styrene sign,  
 authorized personnel only

**Accessories**

- 6' Channel Post **6CHNPST**
- 6' Galvanized Channel Post **6CHNPSTG**
- 8' Channel Post **8CHNPST**
- 8' Galvanized Channel Post **8CHNPSTG**



**Shipping Information**

Unit Wt.	Unit Shipping Wt. UPS (1+ units)	Unit Shipping Wt. Truck	Unit Ship Size w/Pallet	Max Units per Pallet	Pallet Wt.	Total No. Pkgs	Shipping Class
1 lbs	2 lbs/unit	N/A	1 cu. ft.	N/A	N/A	1	100