

**PCS30CT**  
**STRUCTURE RECEPTACLE**  
 30-gallon cast aggregate  
 receptacle with curved aluminum  
 top and plastic liner

**Replacement Parts**

Black Plastic Liner **R-PCS30LNR**

**Accessories**

Hold Down Kit **PCSHLD**

211 North Lindbergh Blvd.

St. Louis, MO 63141

888.535.5005 tel

314.754.0835 fax

specify@anovafurnishings.com

**anovafurnishings.com**

**Material**

The 30-gallon receptacle is composed of 2" thick cast aggregate. The receptacle includes rubber feet and a non-rusting aluminum curved top that provides a wide waste opening while keeping out the elements. The curved aluminum top lifts off for easy waste disposal. The receptacle top also includes a 14" web security strap.

The reusable plastic liner is made of black high-density polyethylene.

The receptacle is designed to be portable, allowing for flexibility in placement.

**Finish**

The aggregate is cast in a durable epoxy resin that remains clear and bright throughout its life.

**Color**

See website or sales representative for color choices.

**Assembly**

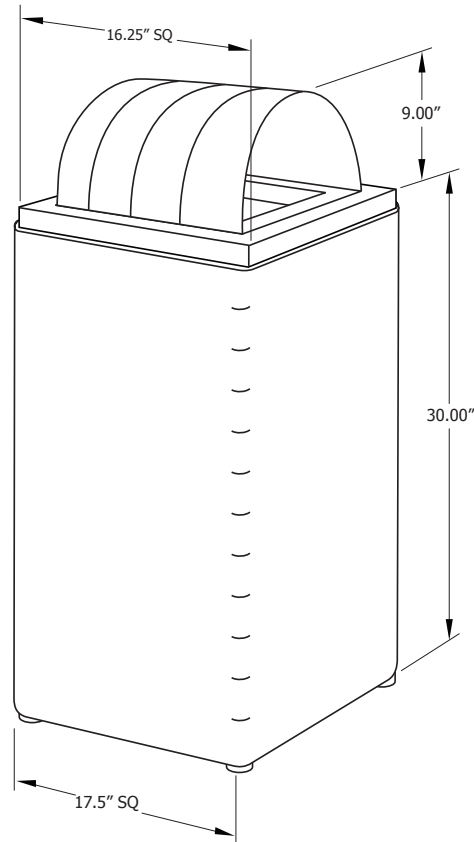
The receptacle arrives fully assembled for immediate use on site.

**Maintenance**

Maintenance-free. To clean, spray with a power washer.

**Warranty**

5-year limited structural warranty from the date of purchase. See full details on multi-year warranties for components at [www.anovafurnishings.com/warranty.aspx](http://www.anovafurnishings.com/warranty.aspx).



**Shipping Information**

Unit Wt.	Unit Shipping Wt. UPS	Unit Shipping Wt. Truck (1+ Units)	Unit Ship Size w/Pallet	Max Units per Pallet	Pallet Wt. (36" x 36")	Total No. Pkgs	Shipping Class
180 lbs	N/A	211 lbs/unit	31 cu. ft.	4	28 lbs	1	70