

**PCS32LAC**  
**STRUCTURE RECEPTACLE**  
 32-gallon cast aggregate receptacle  
 with ashtray and plastic liner

**Replacement Parts**

Black Plastic Liner **R-PCS32PLR**

**Accessories**

Hold Down Kit **PCSHLD**

Black Beauty Sand Replacement:

5 lb bag **SAND5**  
 10 lb bag **SAND10**  
 25 lb bag **SAND25**  
 50 lb bag **SAND50**

Ash Sifter 5" diameter **SIFTER**

211 North Lindbergh Blvd.  
 St. Louis, MO 63141

888.535.5005 tel  
 314.754.0835 fax

specify@anovafurnishings.com  
**anovafurnishings.com**

**Material**

The 32-gallon receptacle is comprised 2" thick cast aggregate. The receptacle includes a durable plastic top and rubber feet.

The top is made of high-density polyethylene that will not chip, crack or dent. The top features a 1.5" deep by 14.00" square ashtray, comes with a supply of black beauty sand substitute, and includes a 14" web security strap.

The reusable plastic liner is made of black high-density polyethylene.

The receptacle is designed to be portable, allowing for flexibility in placement.

**Finish**

The aggregate is cast in a durable epoxy resin that remains clear and bright throughout its life.

**Color**

See website or sales representative for color choices.

**Assembly**

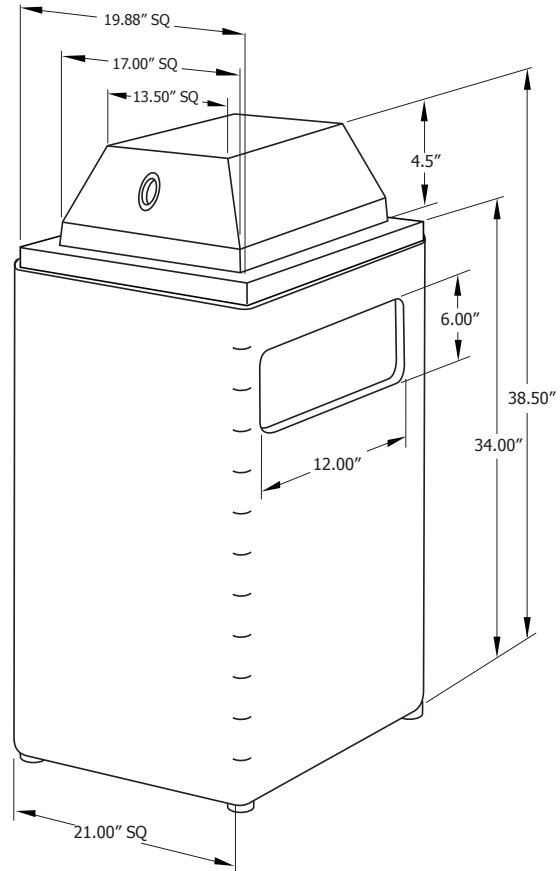
The receptacle arrives fully assembled for immediate use on site.

**Maintenance**

Maintenance-free. To clean, spray with a power washer.

**Warranty**

5-year limited structural warranty from the date of purchase. See full details on multi-year warranties for components at [www.anovafurnishings.com/warranty.aspx](http://www.anovafurnishings.com/warranty.aspx).



**Shipping Information**

Unit Wt.	Unit Shipping Wt. UPS	Unit Shipping Wt. Truck (1+ Units)	Unit Ship Size w/Pallet	Max Units per Pallet	Pallet Wt. (25" x 25")	Total No. Pkgs	Shipping Class
279 lbs	N/A	302 lbs/unit	16 cu. ft.	1	18 lbs	1	70