

PCS32RB
STRUCTURE RECEPTACLE
 32-gallon cast aggregate receptacle
 with rain bonnet top and plastic liner

Replacement Parts

Black Plastic Liner **R-PCS32PLR**

Accessories

Hold Down Kit **PCSHLD**

Black Beauty Sand Replacement:

- 5 lb bag **SAND5**
- 10 lb bag **SAND10**
- 25 lb bag **SAND25**
- 50 lb bag **SAND50**

Ash Sifter 5" diameter **SIFTER**

211 North Lindbergh Blvd.
 St. Louis, MO 63141

888.535.5005 tel
 314.754.0835 fax

specify@anovafurnishings.com
anovafurnishings.com

Material

The 32-gallon receptacle is composed of 2" thick cast aggregate. The receptacle includes rubber feet, a rain bonnet top made of an aluminum frame and high density plastic panel, and a 14.0" square by 1.5" deep ashtray. The bonnet top lifts off for easy trash disposal. The receptacle top also includes a 14" web security strap. The receptacle comes with a supply of black beauty sand substitute.

The reusable plastic liner is made of black high-density polyethylene.

The receptacle is designed to be portable, allowing for flexibility in placement.

Finish

The aggregate is cast in a durable epoxy resin that remains clear and bright throughout its life.

Color

See website or sales representative for color choices.

Assembly

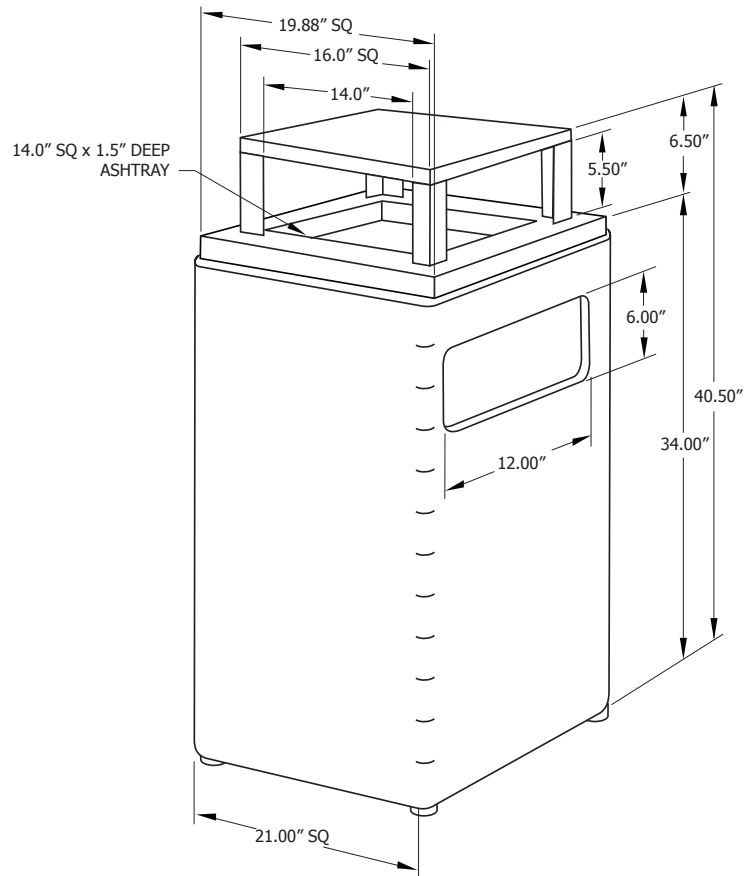
The receptacle arrives fully assembled for immediate use on site.

Maintenance

Maintenance-free. To clean, spray with a power washer.

Warranty

5-year limited structural warranty from the date of purchase. See full details on multi-year warranties for components at www.anovafurnishings.com/warranty.aspx.



Shipping Information

Unit Wt.	Unit Shipping Wt. UPS	Unit Shipping Wt. Truck (1+ Units)	Unit Ship Size w/Pallet	Max Units per Pallet	Pallet Wt. (25" x 25")	Total No. Pkgs	Shipping Class
301 lbs	N/A	301 lbs/unit	17 cu. ft.	1	18 lbs	1	70