

**PCS48CT
STRUCTURE RECEPTACLE**
48-gallon cast aggregate receptacle
with curved aluminum top and
plastic liner

Replacement Parts

Black Plastic Liner R-PCS48LNR

Accessories

Hold Down Kit PANELHLD

211 North Lindbergh Blvd.
St. Louis, MO 63141
888.535.5005 tel
314.754.0835 fax
specify@anovafurnishings.com
anovafurnishings.com

Material

The 48-gallon receptacle is composed of 2" thick cast aggregate. The receptacle includes rubber feet and a non-rusting aluminum curved top that provides a wide waste opening while keeping out the elements. The curved aluminum top lifts off for easy trash disposal. The receptacle top also includes a 14" web security strap.

The reusable plastic liner is made of black high-density polyethylene.

The receptacle is designed to be portable, allowing for flexibility in placement.

Finish

The aggregate is cast in a durable epoxy resin that remains clear and bright throughout its life.

Color

See website or sales representative for color choices.

Assembly

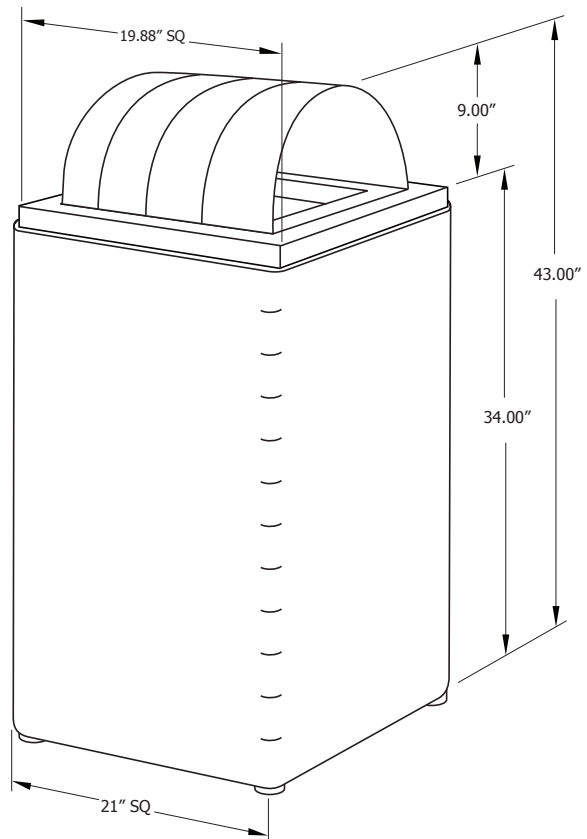
The receptacle arrives fully assembled for immediate use on site.

Maintenance

Maintenance-free. To clean, spray with a power washer.

Warranty

5-year limited structural warranty from the date of purchase. See full details on multi-year warranties for components at www.anovafurnishings.com/warranty.aspx.



Shipping Information

Unit Wt.	Unit Shipping Wt. UPS	Unit Shipping Wt. Truck (1+ Units)	Unit Ship Size w/Pallet	Max Units per Pallet	Pallet Wt. (25" x 25")	Total No. Pkgs	Shipping Class
299 lbs	N/A	322 lbs/unit	18 cu. ft.	1	18 lbs	1	70