



211 North Lindbergh Blvd.
 St. Louis, MO 63141
 888.535.5005 tel
 314.754.0835 fax
specify@anovafurnishings.com
anovafurnishings.com

Material

The 55-gallon receptacle is composed of 2" thick cast aggregate. The receptacle includes rubber feet and a vacuum formed high-density polyethylene push-door top with embossed "THANK YOU" message. The top lifts off for easy waste disposal. The receptacle top also includes a 14" web security strap.

The reusable plastic liner is made of black high-density polyethylene.

The receptacle is designed to be portable, allowing for flexibility in placement.

Finish

The aggregate is cast in a durable epoxy resin that remains clear and bright throughout its life.

Color

See website or sales representative for color choices.

Assembly

The receptacle arrives fully assembled for immediate use on site.

Maintenance

Maintenance-free. To clean, spray with a power washer.

Warranty

5-year limited structural warranty from the date of purchase. See full details on multi-year warranties for components at www.anovafurnishings.com/warranty.aspx.

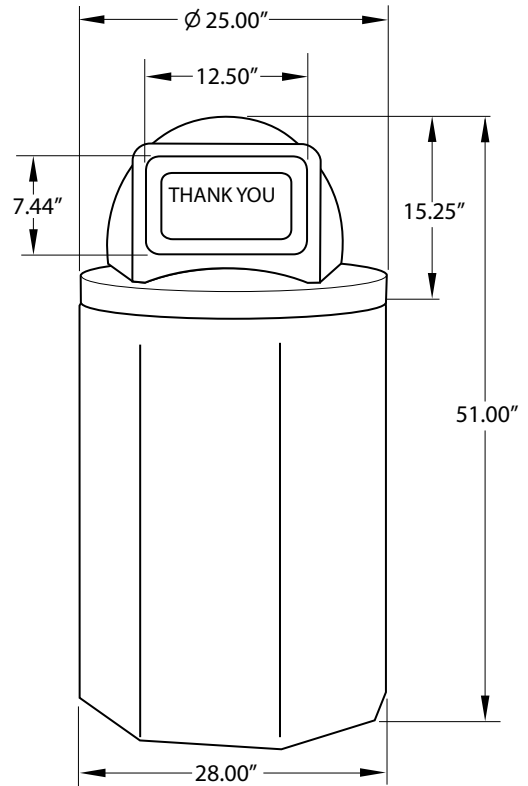
**PCS55PDT
 STRUCTURE RECEPTACLE
 55-gallon cast aggregate receptacle
 with push-door dome top and
 plastic liner**

Replacement Parts

Black Plastic Liner **R-PCS55LNR**

Accessories

Hold Down Kit **PCSHLD**



Shipping Information

Unit Wt.	Unit Shipping Wt. UPS	Unit Shipping Wt. Truck (1+ Units)	Unit Ship Size w/Pallet	Max Units per Pallet	Pallet Wt. (25" x 25")	Total No. Pkgs	Shipping Class
348 lbs	N/A	388 lbs/unit	21 cu. ft.	1	18 lbs	1	70