

211 North Lindbergh Blvd.  
 St. Louis, MO 63141  
 888.535.5005 tel  
 314.754.0835 fax  
 specify@anovafurnishings.com  
**anovafurnishings.com**



**PT3202GC**  
**PARK RECEPTACLE**  
 32-gallon molded plastic receptacle

**Material**

The 32-gallon receptacle body is made of rotomolded plastic. The receptacle features a vacuum formed high-density polyethylene dome top with 7.44" x 12.5" self-closing door including an embossed "THANK YOU" message.

**Color**

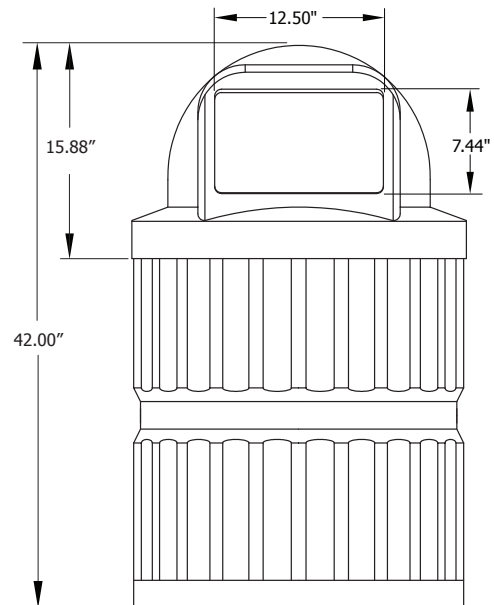
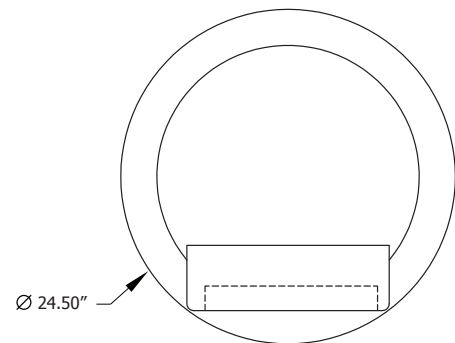
See website or sales representative for color choices.

**Maintenance**

Maintenance-free. To clean, spray with a power washer.

**Warranty**

1-year warranty from the date of purchase.



**Shipping Information**

Unit Wt.	Unit Shipping Wt. UPS	Unit Shipping Wt. Truck (1 + Units)	Unit Ship Size w/Pallet	Max Units per Pallet	Pallet Wt. (48" x 32")	Total No. Pkgs	Shipping Class
30 lbs	N/A	36 lbs/unit	30 cu. ft.	6	50 lbs	1	100